

PostScript Emulation

User Guide

Guide D'utilisation

Guia do Usuário

Guía del usuario

Руководство пользователя

Przewodnik użytkownika

Felhasználói útmutató

Uživatelská příručka



English : Using a PostScript Driver

Installing a PostScript DIMM	2
Using a PostScript Driver in Windows	6
Using a PostScript Driver for Macintosh	11

Français : Utilisation du pilote PostScript

Installation d'une barrette DIMM PostScript	2
Utilisation d'un pilote PostScript sous Windows	6
Utilisation d'un pilote PostScript pour Macintosh	11

Português : Utilizar um Driver PostScript

Instalar um PostScript DIMM	2
Utilizar um Driver PostScript em Windows	6
Utilizar um Driver PostScript para Macintosh	11

Español: Uso de un controlador PostScript

Instalación de un DIMM PostScript	2
Uso de un controlador PostScript en Windows	6
Uso de un controlador PostScript en Macintosh	11

Русский: Использование драйвера PostScript

Установка модуля памяти DIMM PostScript	2
Использование драйвера PostScript в Windows	6
Использование драйвера PostScript для Macintosh	11

Polski: Korzystanie ze sterownika PostScript

Instalowanie modułu PostScript DIMM	2
Korzystanie ze sterownika PostScript w systemie Windows	6
Korzystanie ze sterownika PostScript w środowisku Macintosh	11

Magyar: PostScript illesztőprogram használat

PostScript DIMM modul telepítése	2
PostScript illesztőprogram használat Windows alatt	6
PostScript illesztőprogram használat Macintosh alatt	11

Česky: Použití postscriptového ovladače

Instalace postscriptového modulu DIMM	2
Použití postscriptového ovladače ve Windows	6
Použití postscriptového ovladače pro Macintosh	11

English

Using a PostScript Driver

To use the PostScript driver provided with your system CD-ROM to print documents, use the information in this manual.

This chapter includes:

- **Installing a PostScript DIMM**
- **Using a PostScript Driver in Windows**
- **Using a PostScript Driver for Macintosh**

*PostScript 3 Emulation



(c) Copyright 1998-2003 Zoran Corporation. All rights reserved. Zoran, the Zoran logo, IPS/PS3 and OneImage are trademarks of Zoran Corporation.

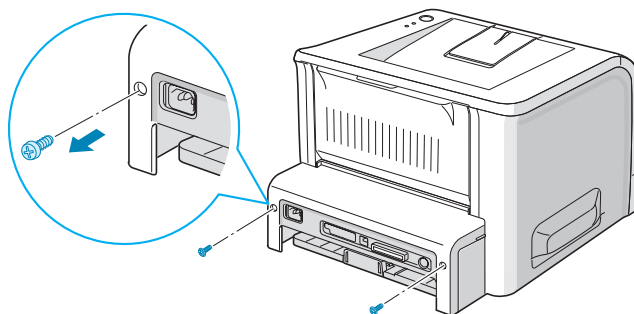
*136 PS3 fonts

Contains UFST® and MicroType™ from Agfa Monotype Corporation.

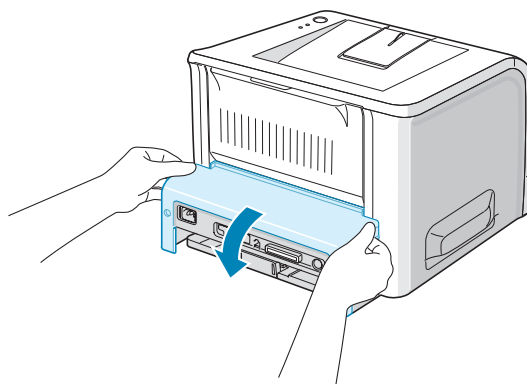
Installing a PostScript DIMM

You need to install an optional PostScript DIMM to use the PostScript driver. The PostScript option is available with a DIMM (Dual In-line Memory Module) installed.

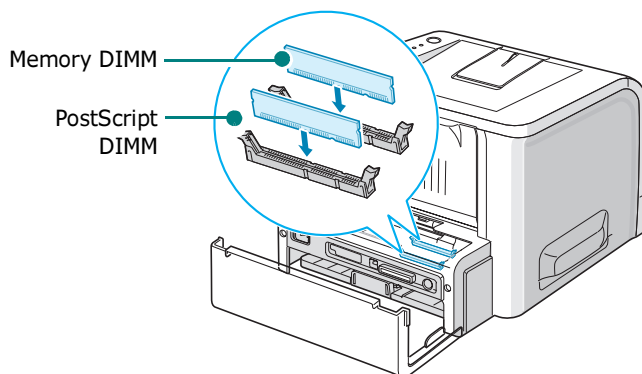
- 1 Turn the printer's power off and unplug all cables from the printer.
- 2 Remove the two screws on the back of the printer.



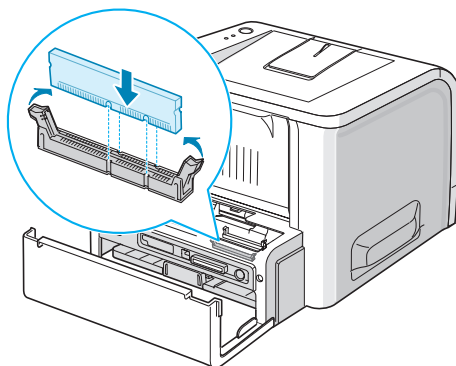
- 3 Open the control board cover.



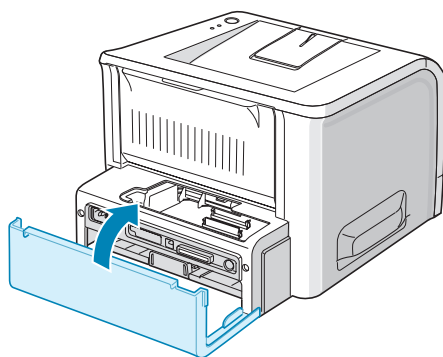
- 4 Locate the PostScript DIMM slot which is closer to the rear edge and the memory DIMM slot which is closer to the printer body on the control board. They are not interchangeable.



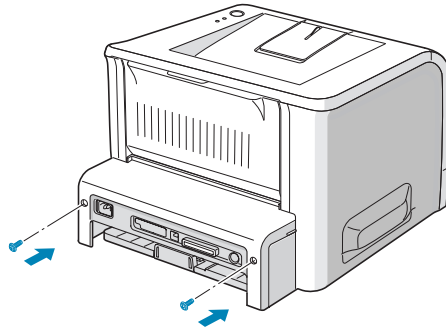
- 5 Hold the PostScript DIMM so that the notches are aligned with the grooves as shown, and push the PostScript DIMM straight into the DIMM slot until it snaps into place. Make sure the latches fit over the notches located on either side of the DIMM.



- 6 Close the control board cover.



7 Replace the two screws.



8 Reconnect the power cord and printer cable, and turn the printer on.



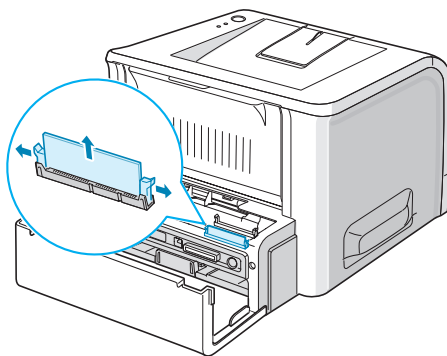
NOTE: If you want to use an optional memory DIMM with your PostScript printer driver, you need to select it in the printer properties after installing the memory DIMM.

To do so:

1. Click the Windows **Start** menu.
 2. For Windows 98/Me/NT 4.0/2000, select **Settings** and then **Printers**.
For Windows XP, select **Printers and Faxes**.
 3. Select the PostScript printer driver for the 3150.
 4. Click the right mouse button on the printer icon and select **Properties**.
 5. For Windows 98/Me, select **Device Options** tab.
For Windows NT 4.0/2000/XP, select **Device Setting** tab.
 6. Select the total memory size installed in **Installable Option**.
For example, if you installed 32 MB memory DIMM, then select 64 MB (additional memory + 32 MB base memory) and click **OK**.
For Windows 98, select **Installable Option** → **VMOption** → **change setting for:VMOption** → Select the total memory size installed.
-

Removing the PostScript DIMM

- 1** Follow steps 1 through 3 on page 2 to access the control board.
- 2** Push the clips at the end of the connector away from the DIMM.



- 3** To protect the DIMM, place it in its original packaging or place in anti static bag and store it in a box.
- 4** Close the control board cover.
- 5** Replace the two screws.
- 6** Reconnect the power cord and printer cable, and turn the printer on.

Using a PostScript Driver in Windows

Installing a PostScript Driver



NOTE: The following procedure bases on Windwos XP. The steps for installing PostScript driver may vary depending on the Operation System you are using.

- 1 Place the CD-ROM which came with your printer into the CD-ROM drive.
- 2 Click the **Start** menu.
- 3 For Windows 98/Me/NT 4.0/2000, select **Settings** and then **Printers**.

For Windows XP, select **Printers and Faxes**.
- 4 For Windows 98/Me/NT 4.0/2000, double-click **Add Printer**.

For Windows XP, click **Add a printer**.
- 5 Add Printer Wizard opens. Click **Next**.
- 6 Select **Local printer attached to this computer** and click **Next**.
- 7 Select the port you want to use and click **Next**.
- 8 Click on **Have Disk**, and then choose:
 - for Windows 9x, **x:\P3150\Printer\AddPrinter\PS\ENGLISH** (or the desired language) **\Win9x\ setup.inf**.
 - For Windows NT 4.0, **x:\P3150\Printer\AddPrinter\PS\ENGLISH** (or the desired language) **\Winnt\ setup.inf**.
 - For Windows 2000, **x:\P3150\Printer\AddPrinter\PS\ENGLISH** (or the desired language) **\Win2k\ setup.inf**.
 - For Windows XP, **x:\P3150\Printer\AddPrinter\PS\ENGLISH** (or the desired language) **\Winxp\ setup.inf**.

(where x is the designated drive letter for the CD-ROM drive)

Then click **OK**.

- 9** When **Xerox Phaser 3150 PS** appears in the Printer list, click **Next**.
- 10** Enter a name for the printer and click **Next**.
- 11** Choose whether you want to share your printer on a network or not and click **Next**.
- 12** If you want to share your printer on the network, describe the location and capabilities of the printer and click **Next**.
- 13** When a window prompting you to print a test page appears, select **Yes** or **No** and click **Next**.
- 14** When the installation is complete, click **Finish**.
- 15** If you select **Yes** in Step 13, the printer prints a test page. When the page prints out properly, click **OK**.

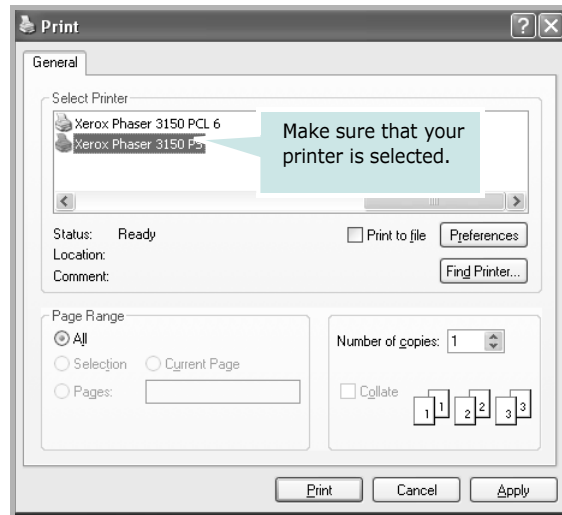
If it doesn't print properly, click **Troubleshoot** to solve your printer's problem.

Printing a Document

The following procedure describes the general steps required for printing using the PostScript driver. The exact steps for printing a document may vary depending on the application programme you are using. Refer to the User's Guide of your software application for the exact printing procedure.

- 1** Open the document you want to print.
- 2** Select **Print** from the **File** menu. The Print window is displayed (It may look slightly different depending on your application).

Basic print settings are selected in the Print window. These settings include the number of copies and the print range.



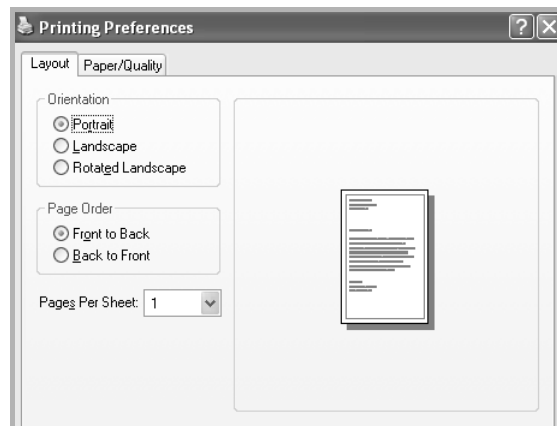
▲ Windows XP

- 3 To take advantage of the features provided by your printer, click **Preferences** in the application's print window and go to Step 4.

If your window shows **Setup**, **Printer**, or **Options**, click that button instead. Then click **Preferences** in the next screen.

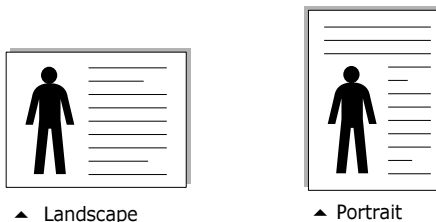
- 4 The Xerox Phaser 3150 PS Preferences window allows you to access all the information you will need when using your printer.

The **Layout** tab is displayed first.



The **Orientation** option allows you to select the direction in which information is printed on a page.

- **Portrait** prints across the width of the page, letter style.
- **Landscape** prints across the length of the page, spreadsheet style.
- **Rotated Landscape** turns the page upside down.

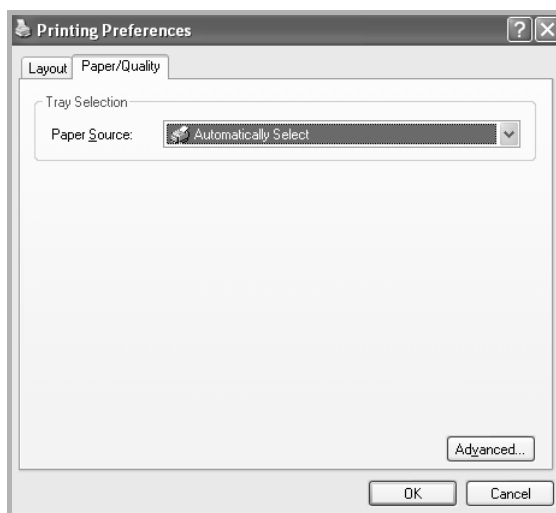


The **Page Order** option allows you to select the order in which the pages will be printed.

- **Front to Back** prints in the correct order.
- **Back to Front** prints in the reverse order.

The **Pages Per Sheet** option allows you to select the number of pages to be printed on one sheet of paper. You can select from 1, 2, 4, 6, 9, and 16.

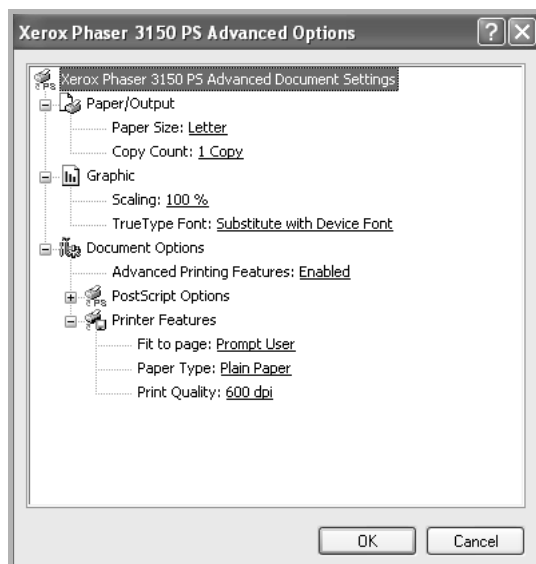
- 5 Click the **Paper/Quality** tab to select the paper source from the **Paper Source** options drop-down list. Select the paper source you will use with the PostScript driver from **Tray 1**, **Tray 2**, **Tray 3**, and **Tray 1(Manual)**.



NOTE: You can click **?** in the upper right hand corner, and then click on any setting. The help screen gives detailed information about the printer features provided by the printer driver.

Using Advanced Printing Features

Click the **Advanced** button in the Xerox Phaser 3150 PS Preferences window to use the advanced option.



- **Paper/Output** allows you to select the paper size and the number of copies to be printed.
- **Graphic** allows you to scale your print job on a page and determine how to image the text in your document.
- **Document Options** allows you to enable or disable the advanced printing features.
- **PostScript Options** allows you to use the several PostScript options.
- **Printer Features** allows you to select the paper type loaded in your printer, the printing resolution, and scaling your print job to any selected paper size.

Using a PostScript Driver for Macintosh

Installing a PPD for a PostScript Driver

The CD-ROM that came with your printer provides you with the PPD file to use the PostScript driver, Apple LaserWriter driver, for printing on a Macintosh computer.

Verify the following before you install the printer software:

Item	Requirements	
Operating system	Mac OS 8.6 - 9.2/10.1 - 10.3	
RAM	Mac OS 8.6 - 9.2	64 MB
	Mac OS 10.1 - 10.3	128 MB
Free disk space	200 MB	

- 1** Turn on your computer and printer.
- 2** Insert the CD-ROM that came with your printer into the computer's CD-ROM drive.
- 3** Double-click the **P3150** on your Macintosh desktop.
- 4** Double-click the **Installer** folder.
- 5** Double-click the Installer icon depending on your system OS version.
 - **Xerox Phaser 3150 Classic** : Mac OS 8.6 - 9.2
 - **Xerox Phaser 3150 OSX** : Mac 10.1 - 10.3
- 6** Click **Continue**.
- 7** Click **Install**.
- 8** After the installation is finished, click **Quit**.

Setting Up the Printer

The way to set up your printer is different depending on which cable you use to connect the printer to your computer- the network cable or the USB cable.

For Network-connected Macintosh

In Mac OS 8.6 - 9.2

- 1 Follow the instructions on page 11 to install the PPD file on your computer.
- 2 From the **Apple** menu, select **Chooser**.
- 3 Click **LaserWriter 8** (the PostScript driver provided with your Macintosh).

The name of your printer appears in the list.

- 4 Select **XRX000xxxxxxxx** from the printer box (where the xxxxxxxx varies depending your printer) and Click **Select**.

If Auto Setup does not work properly, click **Select PPD**, choose **Xerox Phaser 3150** and click **OK**.

- 5 When the setup is completed, you see your printer icon created as a desktop printer.
- 6 Close the **Chooser**.
- 7 When a message window appears telling you that you have changed your current printer, click **OK**.

In Mac OS 10.1 - 10.3

- 1 Follow the instructions on page 11 to install the PPD file on your computer.
- 2 Open **Print Center** from the Utilities folder.
- 3 Click **Add** in the Printer List.
- 4 Select the **AppleTalk** tab.

The name of your printer appears on the list. Select **XRX000xxxxxxxx** from the printer box, where the xxxxxxxx varies depending on your printer.

- 5 Click **Add**.
- 6 If Auto Select does not work properly, select **Xerox** in Printer Model and **Xerox Phaser 3150** in Model Name.

Your printer appears in the Printer List and is set as a default printer.

For USB-connected Macintosh

In Mac OS 8.6 - 9.2



NOTE: The location of the Desktop Printer Utility may be different depending on your Macintosh OS.

- 1 Follow the instructions on page 11 to install the PPD file on your computer.
- 2 On the **Macintosh** double-click **Application**.
- 3 Double-click **Utilities**.
- 4 Double-click **Desktop Printer Utility**.
- 5 Select **LaserWriter 8**, and select **Printer (USB)** in the list box. Then click **OK**.
- 6 Click **Change** in the USB Printer Selection section. The name of your printer appears in the list.
- 7 Click **Phaser 3150**, and click **OK**.
- 8 Click **Auto Setup** in the PostScript Printer Description (PPD) File section.

If Auto Setup does not work properly, click **Select PPD** and choose **Xerox Phaser 3150**.
- 9 When the setup is completed, click **Create**.
- 10 Click **Save**.
- 11 Fill in the **Printer Name** field and click **OK**.

In Mac OS 10.1 - 10.3

- 1 Follow the instructions on page 11 to install the PPD file on your computer.
- 2 Open **Print Center** from the Utilities folder.
- 3 Click **Add** on the Printer List.
- 4 Select the **USB** tab.
- 5 Select **Phaser 3150** and click **Add**.
- 6 If Auto Select does not work properly, select **Xerox** in Printer Model and **Xerox Phaser 3150** in Model Name.

Your printer appears in the Printer List and is set as a default printer.

Printing a Document

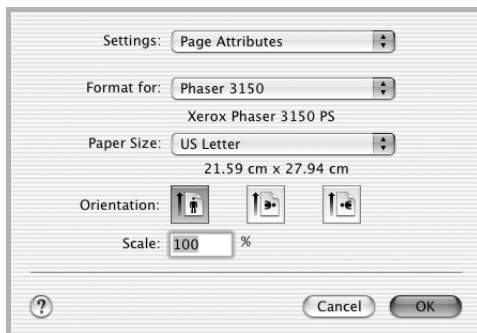
When you print with a Macintosh, you need to check the printer software setting in each application you use. Follow these steps to print from a Macintosh:



NOTE: The LaserWriter driver's window may be different depending on the version of your Macintosh system, but the features available are the same.

- 1 Open a Macintosh application and select the file you want to print.
- 2 Open the **File** menu and click **Page Setup (Document Setup** in some applications).

- 3 Choose your paper size, orientation, scaling and other options and click **OK**.



▲ Mac OS 10.2.x

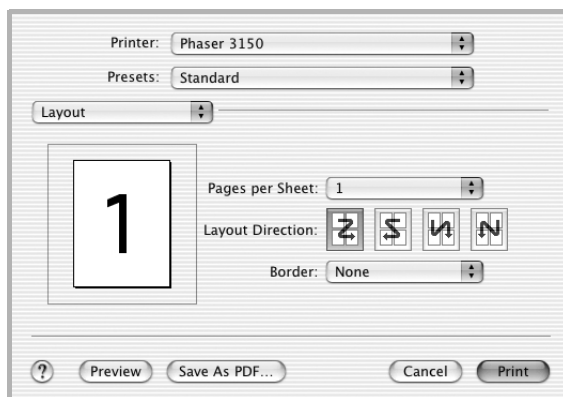
- 4 Open the **File** menu and click **Print**.
- 5 Choose the number of copies you want and indicate which pages you want to print.
- 6 Click **Print** when you finish setting the options.

Using Advanced Printing Features

Printing Multiple Pages on One Sheet of Paper

You can print more than one page on a single sheet of paper. This feature provides a cost-effective way to print draft pages.

- 1 From your Macintosh application, select **Print** from the **File** menu.
- 2 Select the **Layout**.



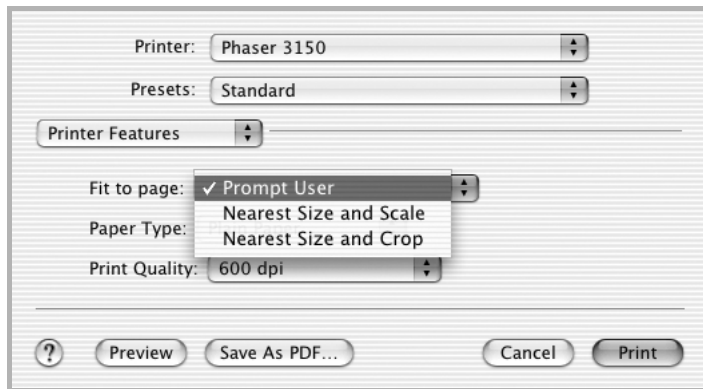
▲ Mac OS 10.2.x

- 3 Click **Print**, and the printer prints the selected number of pages on one side of each page.

Printing Your Document to a Selected Paper Size

This feature allows you to scale your print job to any specified physical paper size regardless of the document size.

- 1 From your Macintosh application, select **Print** from the **File** menu.
- 2 Select the **Printer Features**. (Select the **Advanced Options** if you are a Mac OS 8.6 - 9.2 user.)
- 3 Select an option from the **Fit to Page** drop-down list, and click **Print**.



▲ Mac OS 10.2.x

- **Nearest Size and Scale:** The printer automatically selects paper nearest the document size and reduces or enlarges the page to fit it onto the paper.
- **Nearest Size and Crop:** The printer automatically selects paper nearest to the document size and prints the page in actual size. Any overflowing data is cropped to fit the page onto the paper.

Français

Utilisation du pilote PostScript

Les informations contenues dans ce manuel permettent l'utilisation du pilote PostScript fourni sur votre CD-ROM système, pour l'impression de documents.

Ce chapitre contient les sections suivantes :

- **Installation d'une barrette DIMM PostScript**
- **Utilisation d'un pilote PostScript sous Windows**
- **Utilisation d'un pilote PostScript pour Macintosh**

*Emulation PostScript 3



(c) Copyright 1998-2003 Zoran Corporation. Tous droits réservés. Zoran, le logo Zoran, IPS/PS3 et OneImage sont des marques déposées de Zoran Corporation.

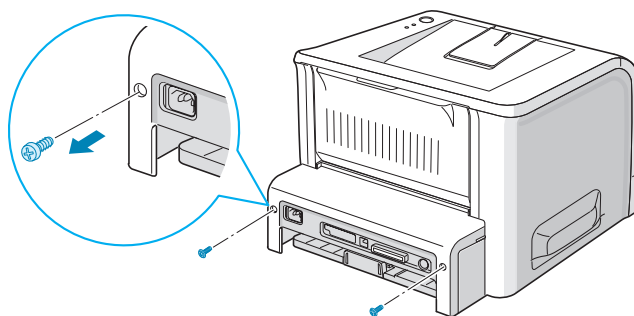
*136 polices PS3

Contient UFST® et MicroType™ d'Agfa Monotype Corporation.

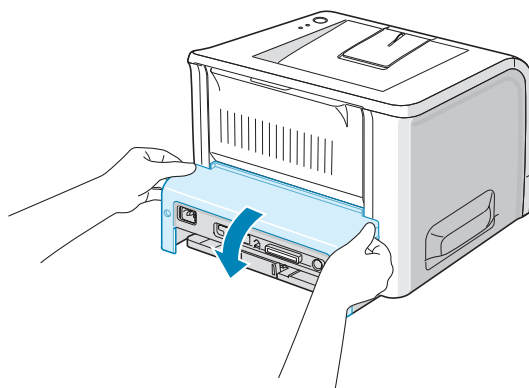
Installation d'une barrette DIMM PostScript

L'utilisation du pilote PostScript suppose l'installation préalable d'une barrette DIMM PostScript, fournie en option. L'option PostScript n'est accessible qu'après avoir installé une barrette DIMM (Module de mémoire à double rangée de connexions).

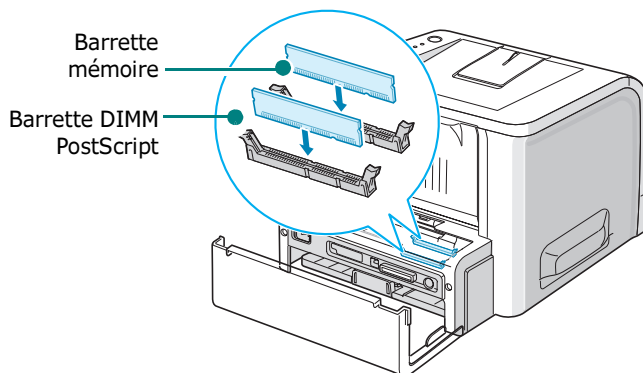
- 1 Mettez l'imprimante hors tension et débranchez tous les câbles.
- 2 Retirez les deux vis du panneau arrière de l'imprimante.



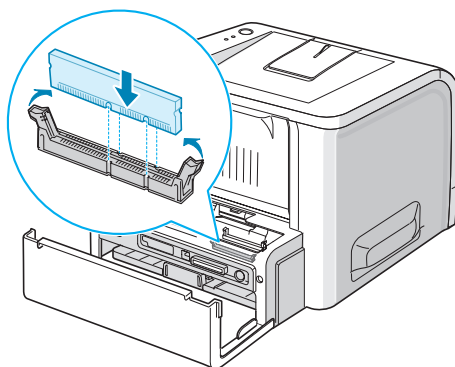
- 3 Ouvrez la trappe d'accès à la carte électronique.



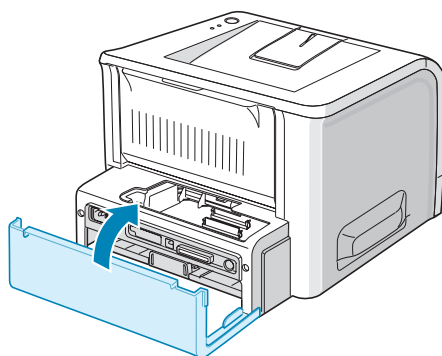
- 4** La fente de la barrette DIMM PostScript est située vers le bord arrière à proximité de la fente de la barrette mémoire sur la carte électronique, à côté du boîtier de l'imprimante. Les barrettes ne sont pas interchangeables.



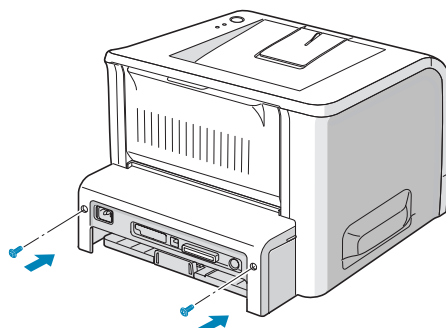
- 5** Maintenez la barrette DIMM PostScript de sorte que les encoches soient alignées avec les rainures comme illustré ci-après, puis poussez sur la barrette DIMM PostScript à la verticale dans la fente DIMM jusqu'à ce qu'elle s'enclenche dans son logement. Vérifiez que les fixations sont bien en place sur les encoches situées de chaque côté de la barrette.



- 6** Remettez la trappe d'accès à la carte électronique en place.



7 Remplacez les deux vis.



8 Rebranchez le cordon d'alimentation et le câble de l'imprimante, puis mettez celle-ci sous tension.



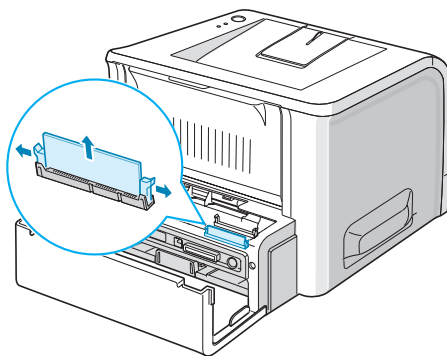
REMARQUE : une fois la barrette mémoire en option installée, pour pouvoir l'utiliser avec le pilote de votre imprimante PostScript, vous devez la sélectionner dans les propriétés de l'imprimante.

Pour cela, procédez comme suit :

1. Cliquez sur le bouton du menu **Démarrer** de Windows.
2. Sous Windows 98/Me/NT 4.0/2000, sélectionnez **Paramètres**, puis **Imprimantes**.
Sous Windows XP, sélectionnez **Imprimantes et télécopieurs**.
3. Sélectionnez le pilote d'imprimante PostScript pour le 3150.
4. A l'aide du bouton droit de la souris, cliquez sur l'icône de l'imprimante, puis sélectionnez **Propriétés**.
5. Sous Windows 98/Me, sélectionnez l'onglet **Options du périphérique**.
Sous Windows NT 4.0/2000/XP, sélectionnez l'onglet **Paramètres du périphérique**.
6. Dans **Options d'installation**, sélectionnez la taille totale de mémoire installée. Par exemple, si vous installez une barrette de mémoire de 32 Mo, sélectionnez alors 64 Mo (32 Mo de mémoire supplémentaire + 32 Mo de mémoire de base), cliquez ensuite sur **OK**.
Sous Windows 98, sélectionnez **Options d'installation** → **VMOption** → **Changer le paramètre pour:VMOption** → Sélectionnez la taille totale de la mémoire installée.

Retrait de la barrette DIMM PostScript

- 1** Suivez les étapes 1 à 3 de la page la page 2 pour accéder à la carte électronique.
- 2** Ecartez les clips situés aux extrémités de la barrette en les poussant vers l'extérieur.



- 3** Afin de protéger la barrette, replacez-la dans son emballage d'origine ou glissez-la dans une poche antistatique, puis rangez le tout dans une boîte.
- 4** Remettez la trappe d'accès à la carte électronique en place.
- 5** Replacez les deux vis.
- 6** Rebranchez le cordon d'alimentation et le câble de l'imprimante, puis mettez celle-ci sous tension.

Utilisation d'un pilote PostScript sous Windows

Installation d'un pilote PostScript



REMARQUE : La procédure ci-après concerne Windows XP. Les étapes requises pour l'installation du pilote PostScript peuvent être différentes selon le système d'exploitation que vous utilisez.

- 1** Insérez le CD-ROM fourni avec votre imprimante dans le lecteur de CD-ROM.
- 2** Cliquez sur le bouton du menu **Démarrer**.
- 3** Sous Windows 98/Me/NT 4.0/2000, sélectionnez **Paramètres**, puis **Imprimantes**.
Sous Windows XP, sélectionnez **Imprimantes et télécopieurs**.
- 4** Sous Windows 98/Me/NT 4.0/2000, double-cliquez sur **Ajout d'imprimante**.
Sous Windows XP, cliquez sur **Ajouter une imprimante**.
- 5** L'Assistant Ajout d'imprimante s'ouvre. Cliquez sur **Suivant**.
- 6** Sélectionnez **Imprimante locale connectée à cet ordinateur**, puis cliquez sur **Suivant**.
- 7** Sélectionnez le port à utiliser, puis cliquez sur **Suivant**.
- 8** Cliquez sur **Disquette fournie**, puis sélectionnez :
 - sous Windows 9x, **x:\P3150\Printer\AddPrinter\PS\FRENCH** (ou la langue souhaitée) **\Win9x\ setup.inf**.
 - sous Windows NT 4.0, **x:\P3150\Printer\AddPrinter\PS\FRENCH** (ou la langue souhaitée) **\Winnt\ setup.inf**.
 - sous Windows 2000, **x:\P3150\Printer\AddPrinter\PS\FRENCH** (ou la langue souhaitée) **\Win2k\ setup.inf**.
 - sous Windows XP, **x:\P3150\Printer\AddPrinter\PS\FRENCH** (ou la langue souhaitée) **\Winxp\ setup.inf**.(où x désigne la lettre de votre lecteur de CD-ROM)
Cliquez sur **OK**.

- 9** Lorsque **Xerox Phaser 3150 PS** apparaît dans la liste des imprimantes, cliquez sur **Suivant**.
- 10** Entrez le nom de l'imprimante, puis cliquez sur **Suivant**.
- 11** Indiquez si vous souhaitez que l'imprimante soit partagée sur un réseau, puis cliquez sur **Suivant**.
- 12** Si vous souhaitez que l'imprimante soit partagée sur le réseau, indiquez son emplacement et décrivez ses capacités, puis cliquez sur **Suivant**.
- 13** Lorsque vous êtes invité à imprimer une page de test, sélectionnez **Oui** ou **Non**, puis cliquez sur **Suivant**.
- 14** Une fois l'installation terminée, cliquez sur **Terminer**.
- 15** Si vous sélectionnez **Oui** à l'étape 13, une page de test est imprimée. Si la page s'imprime correctement, cliquez sur **OK**.

Si l'impression est incorrecte, cliquez sur **Dépannage** pour résoudre le problème avec l'imprimante.

Impression d'un document

La procédure ci-après décrit les étapes requises pour effectuer des impressions à l'aide du pilote PostScript. Les étapes peuvent légèrement varier d'une application à l'autre. Pour connaître la procédure exacte, reportez-vous au mode d'emploi de votre application.

- 1** Ouvrez le document à imprimer.
- 2** Choisissez **Imprimer** dans le menu **Fichier**. La boîte de dialogue Imprimer de votre application s'affiche (elle peut légèrement différer de l'illustration ci-après).

Cette boîte de dialogue permet de sélectionner les options d'impression de base, dont le nombre de copies et les pages à imprimer.



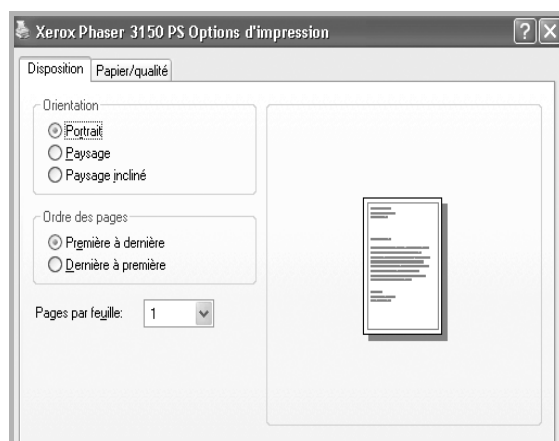
▲ Sous Windows XP

- 3 Pour exploiter pleinement les fonctions de votre imprimante, dans la boîte de dialogue Imprimer de l'application, cliquez sur **Préférences**, puis passez à l'étape 4.

Si votre fenêtre indique **Configuration, Imprimante** ou **Options**, cliquez alors sur ce bouton. Cliquez ensuite sur **Préférence** dans l'écran suivant.

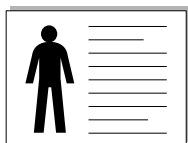
- 4 La fenêtre Xerox Phaser 3150 PS Options d'impression vous permet d'accéder à toutes les informations qui sont nécessaires à l'utilisation de votre imprimante.

L'onglet **Disposition** apparaît en premier.

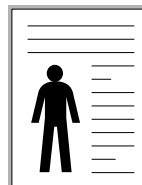


L'option **Orientation** permet de choisir le sens de l'impression.

- **Portrait** imprime les données dans le sens vertical de la page, dans le style d'une lettre.
- **Paysage** imprime les données dans le sens horizontal de la page, dans le style d'une feuille de calcul.
- **Paysage incliné** permet de retourner complètement la page.



▲ Paysage



▲ Portrait

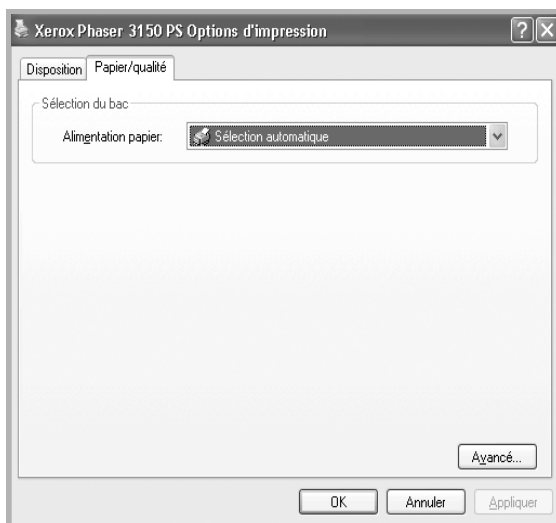
L'option **Ordre des pages** permet de sélectionner l'ordre dans lequel les pages seront imprimées.

- **Première à dernière** permet une impression de la première à la dernière page.
- **Dernière à première** permet une impression dans l'ordre inverse.

L'option **Pages par feuille** vous permet de sélectionner le nombre de pages à imprimer sur une même feuille de papier. Vous pouvez sélectionner les nombres 1, 2, 4, 6, 9 et 16.

- 5** Cliquez sur l'onglet **Papier/qualité** pour sélectionner la source de papier dans la liste déroulante des options **Alimentation papier**.

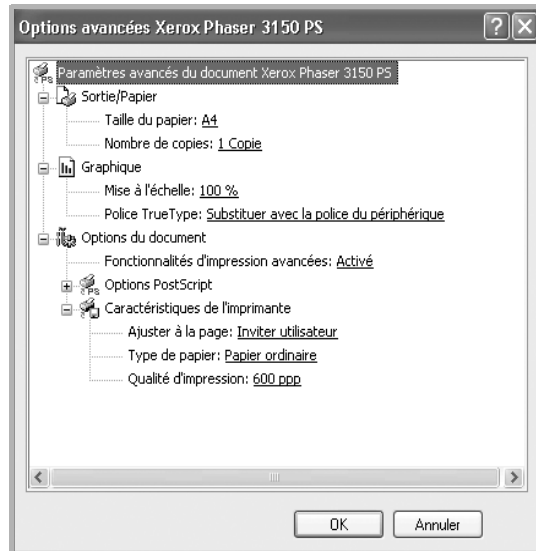
Sélectionnez la source de papier que vous allez utiliser avec le pilote PostScript à partir du **Bac 1, Bac 2, Bac 3** et **Bac 1(Manuel)**.



REMARQUE : Vous pouvez cliquer **?** dans l'angle en haut à droite, puis cliquez sur le paramètre pour lequel vous souhaitez obtenir une explication. L'écran d'aide fournit des indications détaillées sur les fonctions du pilote d'imprimante.

Utilisation des options d'impression avancées

Cliquez sur le bouton **Avancé** de la fenêtre Xerox Phaser 3150 PS Options d'impression pour utiliser les options avancées du pilote.



- **Sortie/Papier** permet de sélectionner le format du papier ainsi que le nombre d'exemplaires à imprimer.
- **Graphique** permet d'adapter votre travail d'impression sur une page et de déterminer la façon dont l'image du texte apparaît sur votre document.
- **Options du document** permet d'activer ou de désactiver les fonctions avancées d'impression.
- **Options PostScript** permet l'utilisation de plusieurs options PostScript.
- **Caractéristiques de l'imprimante** permet de sélectionner le type de papier chargé dans votre imprimante, la résolution d'impression ainsi que l'échelonnement relatif à votre tâche d'impression quel que soit le format de papier sélectionné.

Utilisation d'un pilote PostScript pour Macintosh

Installation d'un PPD pour un pilote PostScript

Le CD-ROM livré avec votre imprimante contient le fichier PPD permettant l'utilisation de pilotes PostScript et Apple LaserWriter pour imprimer à partir d'un Macintosh.

Vérifiez la configuration de votre système avant d'installer le logiciel d'impression :

Option	Configuration	
Système d'exploitation	Mac OS 8.6 - 9.2/10.1 - 10.3	
Mémoire vive (RAM)	Mac OS 8.6 - 9.2	64 Mo
	Mac OS 10.1 - 10.3	128 Mo
Espace disque disponible	200 Mo	

- 1 Mettez l'ordinateur et l'imprimante sous tension.
- 2 Insérez le CD-ROM fourni avec votre imprimante dans le lecteur de CD-ROM de votre ordinateur.
- 3 Sur le bureau de votre Macintosh, double-cliquez sur **P3150**.
- 4 Double-cliquez sur le dossier **Installation**.
- 5 Double-cliquez sur l'icône Installer selon la version de votre système OS.
 - **Xerox Phaser 3150 Classic** : Mac OS 8.6 - 9.2
 - **Xerox Phaser 3150 OSX** : Mac 10.1 - 10.3
- 6 Cliquez sur **Poursuivre**.
- 7 Cliquez sur **Installer**.
- 8 Une fois l'installation terminée, cliquez sur **Quitter**.

Configuration de l'imprimante

Il existe plusieurs façons de configurer votre imprimante selon le câble que vous utilisez pour la connecter à votre ordinateur : réseau ou USB.

Macintosh avec connexion réseau

Versions 8.6 - 9.2 de Mac OS

- 1 Suivez les instructions qui figurent dans la page 11 pour installer le fichier PPD sur votre ordinateur.
- 2 Dans le menu **Apple**, sélectionnez **Sélecteur**.
- 3 Cliquez sur **LaserWriter 8** (pilote PostScript fourni avec votre Macintosh).

Le nom de l'imprimante apparaît dans la liste.

- 4 Sélectionnez **XR000xxxxxxxx** dans la fenêtre de l'imprimante (xxxxxxxx dépend du produit considéré), puis cliquez sur **Sélectionner**.

Si Configuration automatique ne fonctionne pas correctement, cliquez sur **Sélectionner PPD**, sélectionnez ensuite **Xerox Phaser 3150**, puis cliquez sur **OK**.

- 5 Une fois la configuration terminée, l'icône de l'imprimante apparaît sur le bureau.
- 6 Fermez le **Sélecteur**.
- 7 Lorsqu'un message apparaît pour vous indiquer que votre imprimante actuelle a été modifiée, cliquez sur **OK**.

Versions 10.1 - 10.3 de Mac OS

- 1 Suivez les instructions qui figurent dans la page 11 pour installer le fichier PPD sur votre ordinateur.
- 2 Ouvrez **Centre d'impression** dans le dossier Utilitaires.
- 3 Cliquez sur **Ajouter** dans la liste d'imprimantes.
- 4 Sélectionnez l'onglet **AppleTalk**.

Le nom de l'imprimante apparaît dans la liste. Sélectionnez **XR000xxxxxxxx** dans la fenêtre de l'imprimante (xxxxxxxx dépend du produit considéré).

- 5 Cliquez sur **Ajouter**.
- 6 Si Sélection automatique ne fonctionne pas correctement, sélectionnez **Xerox** dans Modèle d'imprimante, puis **Xerox Phaser 3150** dans Nom du modèle.

Votre imprimante apparaît dans la liste d'imprimantes définie comme imprimante par défaut.

Macintosh avec connexion USB

Version 8.6 - 9.2 de Mac OS



REMARQUE : L'emplacement de l'utilitaire d'impression de bureau peut varier en fonction du système d'exploitation.

- 1 Suivez les instructions qui figurent dans la page 11 pour installer le fichier PPD sur votre ordinateur.
- 2 Sur le bureau du **Macintosh** double-cliquez sur **Application**.
- 3 Double-cliquez sur **Utilitaires**.
- 4 Double-cliquez sur **Utilitaire d'impression de bureau**.
- 5 Sélectionnez **LaserWriter 8**, puis **Imprimante (USB)** dans la zone de liste. Cliquez sur **OK**.
- 6 Cliquez sur **Modifier** dans la section Sélection imprimante USB. Le nom de l'imprimante apparaît dans la liste.
- 7 Cliquez sur **Phaser 3150**, puis cliquez sur **OK**.
- 8 Cliquez sur **Configuration automatique** dans la section Fichier de description d'imprimante PostScript (PPD).

Si Configuration automatique ne fonctionne pas correctement, cliquez sur **Sélectionner PPD** puis sélectionnez **Xerox Phaser 3150**.
- 9 Une fois la configuration terminée, cliquez sur **Créer**.
- 10 Cliquez sur **Enregistrer**.
- 11 Renseignez le champ **Nom d'imprimante**, puis cliquez sur **OK**.

Versions 10.1 - 10.3 de Mac OS

- 1 Suivez les instructions qui figurent dans la page 11 pour installer le fichier PPD sur votre ordinateur.
- 2 Ouvrez **Centre d'impression** dans le dossier Utilitaires.
- 3 Cliquez sur **Ajouter** dans la liste d'imprimantes.
- 4 Sélectionnez l'onglet **USB**.
- 5 Sélectionnez **Phaser 3150**, puis cliquez sur **Ajouter**.
- 6 Si Sélection automatique ne fonctionne pas correctement, sélectionnez **Xerox** dans Modèle d'imprimante, puis **Xerox Phaser 3150** dans Nom du modèle.

Votre imprimante apparaît dans la liste d'imprimantes définie comme imprimante par défaut.

Impression d'un document

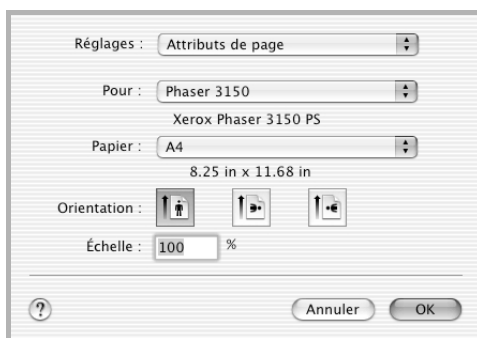
Lorsque vous imprimez à partir d'un Macintosh, vous devez vérifier la configuration du logiciel d'impression dans chaque application utilisée. Pour imprimer à partir d'un Macintosh, procédez comme suit :



REMARQUE : L'apparence de la fenêtre du pilote LaserWriter peut varier selon la version de votre système Macintosh mais les options disponibles, elles, ne changent pas.

- 1 Ouvrez une application Macintosh, puis sélectionnez le fichier à imprimer.
- 2 Dans le menu **Fichier**, choisissez **Format d'impression** (**Réglages de page** dans certaines applications).

- 3 Sélectionnez le format, l'orientation et la mise à l'échelle ainsi que les autres options disponibles, puis cliquez sur **OK**.



▲ Version 10.2.x de Mac OS

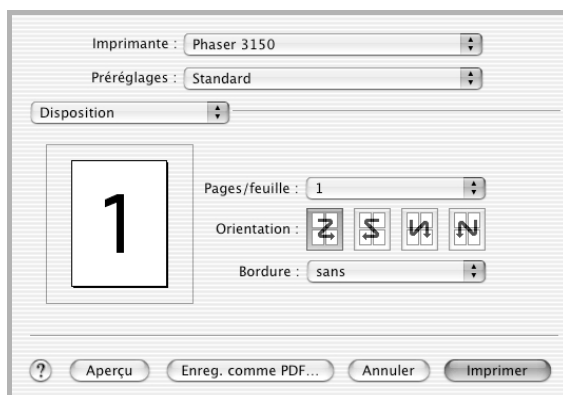
- 4 Ouvrez le menu **Fichier** et cliquez sur **Imprimer**.
- 5 Sélectionnez le nombre de copies et indiquez les numéros des pages à imprimer.
- 6 Cliquez sur **Imprimer** une fois le paramétrage terminé.

Utilisation des options d'impression avancées

Impression de plusieurs pages sur une seule feuille

Vous pouvez imprimer plus d'une page sur une seule feuille de papier. Cette option vous permet d'imprimer les brouillons en mode économique.

- 1 Sélectionnez la commande **Imprimer** du menu **Fichier** dans l'application Macintosh.
- 2 Sélectionnez la **Disposition**.



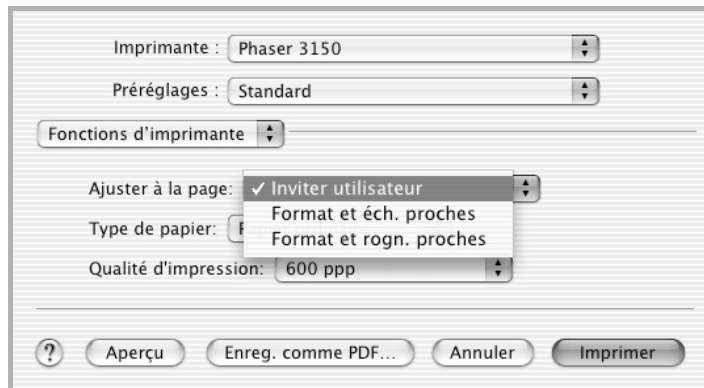
▲ Version 10.2.x de Mac OS

- 3 Cliquez sur **Imprimer** et les pages sélectionnées sont imprimées en mode recto.

Impression d'un document sur un format de papier spécifique

Cette fonction vous permet d'adapter votre travail d'impression à n'importe quel format de papier, quelle que soit la taille du document enregistré.

- 1 Sélectionnez la commande **Imprimer** du menu **Fichier** dans l'application Macintosh.
- 2 Sélectionnez les **Fonctions d'imprimante**. (Sélectionnez les **Options avancées** si vous utilisez une version 8.6 - 9.2 de Mac OS.)
- 3 Sélectionnez une option dans la liste déroulante **Ajuster à la page** puis cliquez sur **Imprimer**.



▲ Version 10.2.x de Mac OS

- **Format et éch. proches** : L'imprimante sélectionne automatiquement la taille de papier qui se rapproche le plus de celle du document et réduit ou agrandit la page afin de l'ajuster au papier.
- **Format et rogn. proches** : L'imprimante sélectionne automatiquement la taille de papier qui se rapproche le plus de celle du document et imprime la page dans sa taille réelle. Toute donnée qui dépasse est rognée afin d'être ajustée à la page.

Português

Utilizar um Driver PostScript

Para utilizar o driver PostScript fornecido com o CD-ROM de seu sistema para imprimir documentos, utilize as informações deste manual.

Este capítulo inclui:

- **Instalar um PostScript DIMM**
- **Utilizar um Driver PostScript em Windows**
- **Utilizar um Driver PostScript para Macintosh**

*Emulação de PostScript 3



(c) Copyright 1998-2003 Zoran Corporation.
Todos os direitos reservados. Zoran, o logo Zoran, IPS/PS3 e OneImage são marcas registradas da Zoran Corporation.

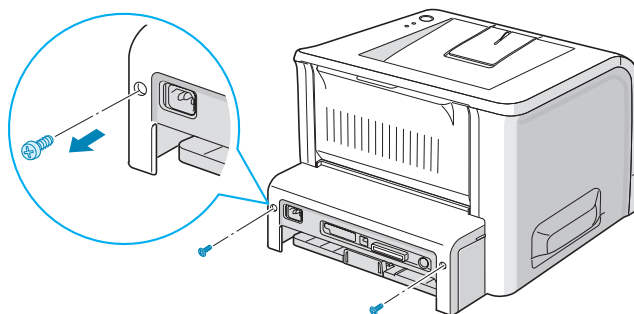
*Fontes PS3 136

Contém UFST® e MicroType™ da Agfa Monotype Corporation.

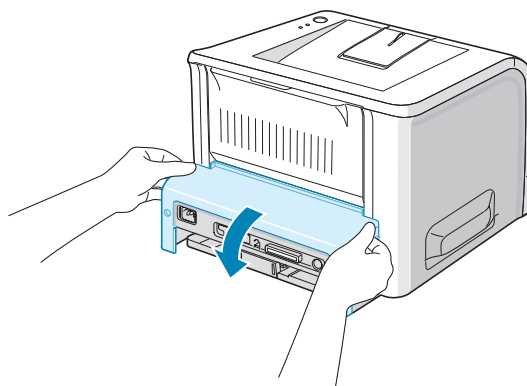
Instalar um PostScript DIMM

Você precisa instalar um PostScript DIMM opcional para utilizar o driver PostScript. A opção PostScript está disponível com um DIMM (Dual In-line Memory Module) instalado.

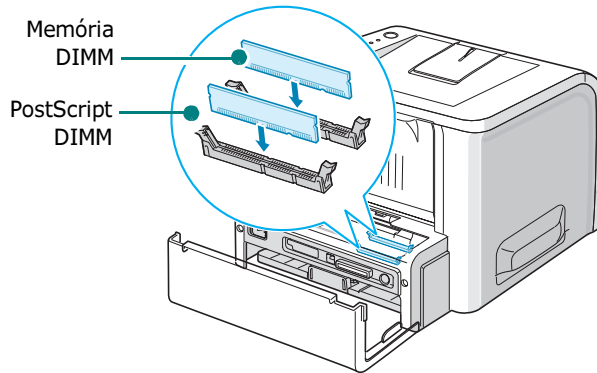
- 1** Desligue a energia da impressora e retire os cabos da impressora.
- 2** Remova os dois parafusos na parte posterior da impressora.



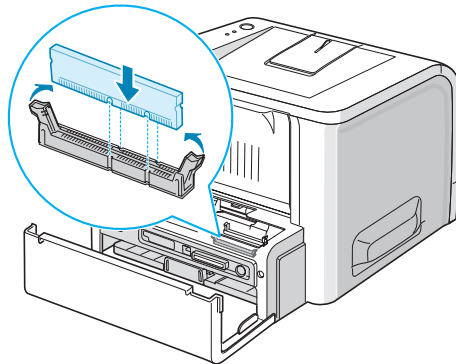
- 3** Abra a tampa do quadro de controle.



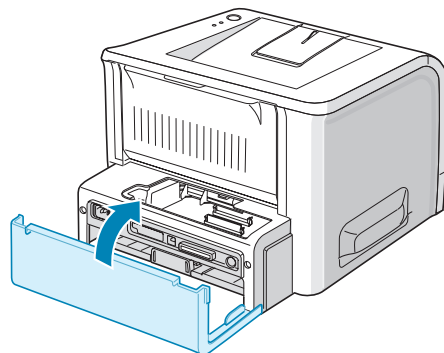
- 4** Localize a ranhura do PostScript DIMM que está mais próxima da borda traseira e a ranhura de memória DIMM que está mais próxima do corpo da impressora no painel de controle. Elas não são intercambiáveis.



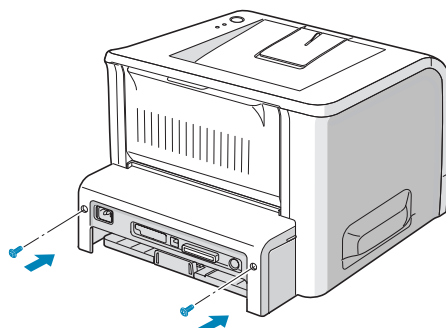
- 5** Segure o PostScript DIMM de modo que os contatos estejam alinhados com as ranhuras como mostrado e pressione o PostScript DIMM diretamente na ranhura do DIMM até que se trave na posição. Verifique se os contatos coincidem com as ranhuras localizadas de cada lado do DIMM.



- 6** Feche a tampa do quadro de controle.



7 Substitua os dois parafusos.



8 Reconecte os cabos de alimentação e da impressora e ligue-a.



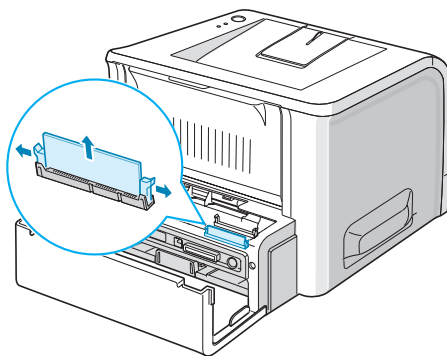
OBSERVAÇÃO: Se quiser utilizar o DIMM de memória opcional com seu driver de impressora PostScript, você precisa selecioná-lo nas propriedades da impressora após instalar o DIMM de memória.

Para fazê-lo:

1. Clique no botão **Iniciar** do Windows.
2. No Windows 98/Me/NT 4.0/2000, selecione **Configurações** e em seguida **Impressoras**.
No Windows XP, selecione **Impressoras e faxes**.
3. Selecione o driver de impressora PostScript para a 3150.
4. Clique com o botão direito do mouse no ícone da impressora e selecione **Propriedades**.
5. No Windows 98/Me, selecione a guia **Opções de dispositivo**.
No Windows NT 4.0/2000/XP, selecione a guia **Configuração de dispositivo**.
6. Selecione o tamanho total de memória instalada em **Opções instaláveis**. Por exemplo, se você instalou um DIMM de memória de 32 MB, selecione então 64 MB (memória adicional + memória base de 32 MB) e clique em **OK**.
No Windows 98, selecione **Opções instaláveis** → **VMOption** → **mude a configuração para:VMOption** → Selecione o tamanho total de memória instalada.

Remoção do PostScript DIMM

- 1** Siga as etapas 1 a 3 descritas em página 2 para acessar a placa de controle.
- 2** Retire do DIMM os conectores que ficam na extremidade do conector.



- 3** Para proteger o DIMM, coloque-o em sua embalagem original ou coloque-o em uma bolsa anti-estática e guarde-o em uma caixa.
- 4** Feche a tampa do quadro de controle.
- 5** Recoloque os dois parafusos.
- 6** Reconecte os cabos de alimentação e da impressora e ligue-a.

Utilizar um Driver PostScript em Windows

Instalar um Driver PostScript



OBSERVAÇÃO: O procedimento a seguir se baseia no Windows XP. As etapas para a instalação do driver PostScript podem variar dependendo do Sistema Operacional que você estiver usando.

- 1** Coloque o CD-ROM que veio com sua impressora no drive de CD-ROM.
- 2** Clique no menu **Iniciar**.
- 3** Para Windows 98/Me/NT 4.0/2000, selecione **Configurações** e, em seguida, **Impressoras**.
No Windows XP, selecione **Impressoras e faxes**.
- 4** No Windows 98/Me/NT 4.0/2000, clique duas vezes em **Adicionar impressora**.
No Windows XP, clique em **Adicionar uma impressora**.
- 5** O assistente Adicionar Impressora se abre. Clique em **Seguinte**.
- 6** Selecione **Impressora local conectada a este computador** e clique **Seguinte**.
- 7** Selecione a porta que quer utilizar e clique em **Seguinte**.
- 8** Clique em **Com disco** e em seguida selecione:
 - no Windows 9x, **x:\P3150\Printer\AddPrinter\PS\PORTUGUESE_BRAZILIAN** (ou idioma desejado) **\Win9x\setup.inf**.
 - No Windows NT 4.0x, **x:\P3150\Printer\AddPrinter\PS\PORTUGUESE_BRAZILIAN** (ou idioma desejado) **\Winnt\setup.inf**.
 - No Windows 2000x, **x:\P3150\Printer\AddPrinter\PS\PORTUGUESE_BRAZILIAN** (ou idioma desejado) **\Win2k\setup.inf**.
 - No Windows XP, **x:\P3150\Printer\AddPrinter\PS\PORTUGUESE_BRAZILIAN** (ou idioma desejado) **\Winxp\setup.inf**.(onde x é a letra do drive designado para o drive do CD-ROM)
Em seguida, clique em **OK**.

- 9** Quando **Xerox Phaser 3150 PS** aparecer na lista de Impressoras, clique em **Seguinte**.
- 10** Digite o nome da impressora e clique em **Seguinte**.
- 11** Escolha se quer compartilhar sua impressora em uma rede ou não e clique em **Seguinte**.
- 12** Se tiver que compartilhar sua impressora na rede, descreva a localização e as capacidades da impressora e clique em **Seguinte**.
- 13** Quando aparecer uma janela solicitando a impressão de uma página de teste, selecione **Sim** ou **Não** e clique em **Seguinte**.
- 14** Quando a instalação estiver completa, clique em **Terminar**.
- 15** Se selecionar **Sim** na Etapa 13, a impressora imprimirá uma página de teste. Quando a página imprimir corretamente, clique em **OK**.

Se não imprimir corretamente, clique em **Solução de problemas** para resolver os problemas de sua impressora.

Imprimir documentos

O procedimento a seguir descreve os passos gerais necessários para imprimir utilizando o driver PostScript. Os passos exatos para imprimir um documento podem variar de acordo com o programa utilizado. Consulte o manual do usuário do software para obter detalhes sobre o procedimento de impressão exato.

- 1** Abra o documento que pretende imprimir.
- 2** Selecione **Imprimir** no menu **Arquivo**. A janela Imprimir é exibida (Pode ser ligeiramente diferente conforme seu aplicativo).

As definições básicas de impressão são selecionadas na janela Imprimir. Essas definições incluem o número de cópias e o intervalo de impressão.



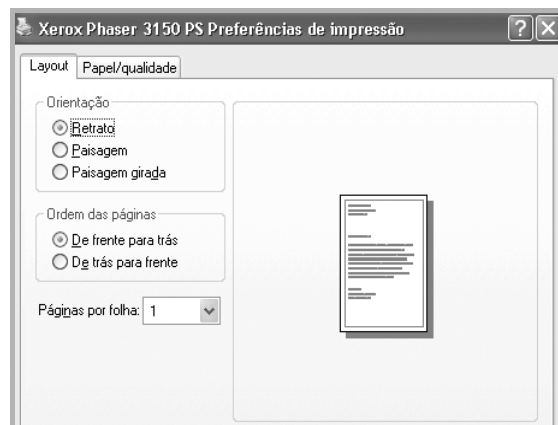
▲ Windows XP

- 3 Para aproveitar as características de sua impressora, clique em **Preferências** na janela do aplicativo da impressora e vá para a Etapa 4.

Se sua janela indicar **Instalação, Impressora**, ou **Opções**, clique em um destes botões. Em seguida clique em **Preferências** na tela seguinte.

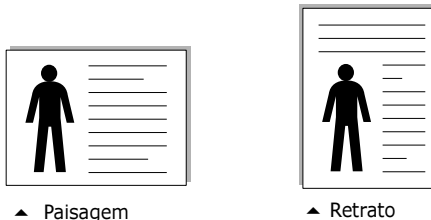
- 4 A janela Xerox Phaser 3150 PS Preferências de impressão permite que você acesse todas as informações de que precisará ao utilizar sua impressora.

A guia **Layout** é exibida primeiro.



A opção **Orientação** permite selecionar a direção na qual as informações são impressas na página.

- **Retrato** imprime no sentido da largura da página, em estilo de carta.
- **Paisagem** imprime no sentido do comprimento da página, em estilo de planilha.
- **Paisagem girada** gira a página ao contrário.

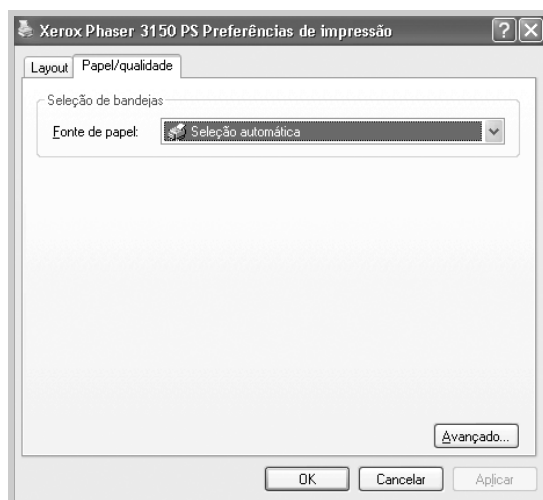


A opção **Ordem das páginas** permite que você selecione a ordem na qual as páginas serão impressas.

- **De frente para trás** imprime na ordem correta.
- **De trás para frente** imprime na ordem inversa.

A opção **Páginas por folha** permite que você selecione o número de páginas impressas em uma folha de papel. Você pode selecionar entre 1, 2, 4, 6, 9 e 16.

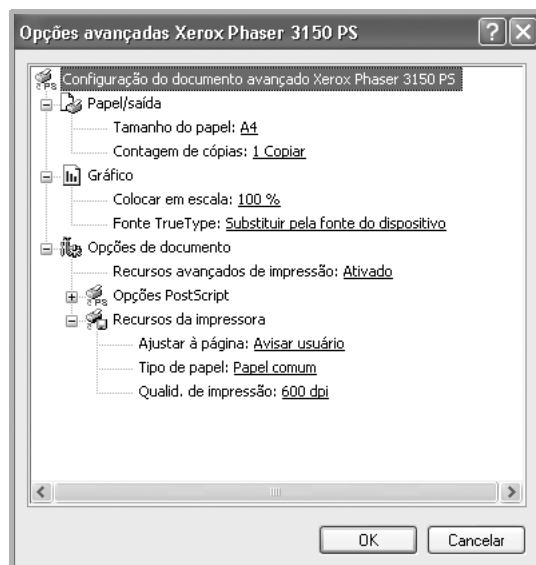
- 5 Clique na guia **Papel/qualidade** para selecionar a fonte de papel entre as opções da lista suspensa **Fonte de papel**. Selecione a fonte de papel que utilizará com o driver PostScript entre **Bandeja 1**, **Bandeja 2**, **Bandeja 3** e **Bandeja 1(Manual)**.



OBSERVAÇÃO: Você pode clicar **?** no canto superior direito e em seguida clique em qualquer configuração. A tela de ajuda que fornece informações detalhadas sobre as características proporcionadas pela impressora aparece.

Utilizar os recursos de impressão avançados

Clique no botão **Avançado** na janela Xerox Phaser 3150 PS Preferências de impressão para utilizar a opção avançada.



- **Papel/saída** permite que você selecione o tamanho de papel e o número de cópias a imprimir.
- **Gráfico** permite que você dimensione seu trabalho de impressão em uma página e determine como posicionar o texto em seu documento.
- **Opções de documento** permite que você habilite ou desabilite as características de impressão avançada.
- **Opções PostScript** permite que você utilize várias opções de PostScript.
- **Recursos da impressora** permite que você selecione o tipo de papel carregado em sua impressora, a resolução de impressão e dimensione seu trabalho de impressão para qualquer tamanho de papel selecionado.

Utilizar um Driver PostScript para Macintosh

Instalar um PPD para um Driver PostScript

O CD-ROM que acompanha a impressora tem o arquivo PPD para usar os driver PostScript e Apple LaserWriter, para impressão em um computador Macintosh.

Verifique o seguinte antes de instalar o software da impressora:

Item	Requisitos	
Sistema operacional	Mac OS 8.6 - 9.2/10.1 - 10.3	
Memória RAM	Mac OS 8.6 - 9.2	64 MB
	Mac OS 10.1 - 10.3	128 MB
Espaço livre em disco	200 MB	

- 1** Ligue o computador e a impressora.
- 2** Insira o CD-ROM que veio com sua impressora na unidade de CD-ROM de seu computador.
- 3** Clique duas vezes no **P3150** de sua tela inicial Macintosh.
- 4** Clique duas vezes na pasta **Instalador**.
- 5** Clique duas vezes no ícone do Instalador dependendo da versão OS de seu sistema.
 - **Xerox Phaser 3150 Classic:** Mac OS 8.6 - 9.2
 - **Xerox Phaser 3150 OSX:** Mac 10.1 - 10.3
- 6** Clique em **Continuar**.
- 7** Clique em **Instalar**.
- 8** Quando a instalação estiver concluída, clique em **Sair**.

Definir a impressora

A maneira de definir a impressora é diferente dependendo de qual cabo você usa para conectá-la ao computador - o cabo de rede ou o USB.

Para Macintosh conectado à rede

No Mac OS 8.6 - 9.2

- 1 Siga as instruções em página 11 para instalar o arquivo PPD no computador.
- 2 No menu **Apple**, selecione **Chooser**.
- 3 Clique em **LaserWriter 8** (o driver PostScript fornecido com o Macintosh).
O nome da impressora é exibido na lista.
- 4 Selecione **XR000xxxxxxxx** na caixa da impressora (onde o xxxxxxxxxxx varia dependendo de sua impressora) e clique em **Selecionar**.
Se a Instalação Automática não funcionar corretamente, clique em **Selecionar PPD**, escolha **Xerox Phaser 3150** e clique em **OK**.
- 5 Quando a instalação estiver concluída, você verá o ícone da impressora como uma impressora de mesa.
- 6 Feche o **Chooser**.
- 7 Aparecerá uma janela de mensagem, informando a alteração da impressora atual, clique em **OK**.

No Mac OS 10.1 - 10.3

- 1 Siga as instruções em página 11 para instalar o arquivo PPD no computador.
- 2 Abra **Centro de Impressão** na pasta Utilitários.
- 3 Clique em **Adicionar** na Lista de Impressoras.
- 4 Selecione a guia **AppleTalk**.
O nome da impressora é exibido na lista. Selecione **XR000xxxxxxxx** na caixa de impressora, onde o xxxxxxxxxxx varia dependendo de sua impressora.

- 5 Clique em **Adicionar**.
- 6 Se a Seleção Automática não funcionar corretamente, selecione **Xerox** no Modelo de Impressora e **Xerox Phaser 3150** no Nome do Modelo.
Sua impressora aparece na Lista de Impressoras e é selecionada como impressora padrão.

Para Macintosh conectado ao USB

No Mac OS 8.6 - 9.2



OBSERVAÇÃO: A localização do Utilitário da Impressora da Área de Trabalho pode ser diferente dependendo do sistema operacional Macintosh.

- 1 Siga as instruções em página 11 para instalar o arquivo PPD no computador.
- 2 No **Macintosh** clique duas vezes em **Aplicativo**.
- 3 Clique duas vezes em **Utilitários**.
- 4 Clique duas vezes em **Utilitário de impressora de área de trabalho**.
- 5 Selecione **LaserWriter 8** e selecione **Impressora (USB)** na caixa de listagem. Em seguida, clique em **OK**.
- 6 Clique em **Alterar** na seção Seleção da Impressora USB. O nome da impressora é exibido na lista.
- 7 Clique em **Phaser 3150** e clique em **OK**.
- 8 Clique em **Instalação automática** na seção Seleção da Impressora USB (PPD) File.
Se Instalação Automática não funcionar corretamente, clique em **Selecionar PPD** e escolha **Xerox Phaser 3150**.
- 9 Quando a instalação estiver concluída, clique em **Criar**.
- 10 Clique em **Salvar**.
- 11 Preencha o campo **Nome da impressora** e, em seguida, clique em **OK**.

No Mac OS 10.1 - 10.3

- 1 Siga as instruções em página 11 para instalar o arquivo PPD no computador.
- 2 Abra **Centro de Impressão** na pasta Utilitários.
- 3 Clique em **Adicionar** na lista de impressoras.
- 4 Selecione a guia **USB**.
- 5 Selecione **Phaser 3150** e clique em **Adicionar**.
- 6 Se a Seleção Automática não funcionar corretamente, selecione **Xerox** no Modelo de Impressora e **Xerox Phaser 3150** no Nome do Modelo.

Sua impressora aparece na Lista de Impressoras e é selecionada como impressora padrão.

Imprimir documentos

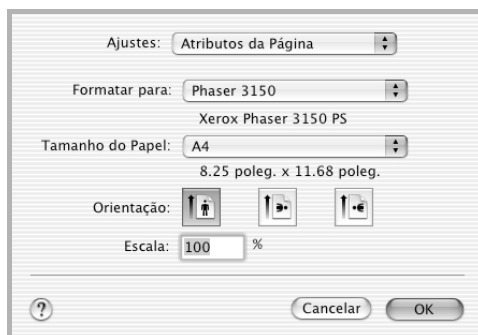
Ao imprimir em sistemas Macintosh, é necessário verificar a definição do software da impressora em cada aplicativo que for utilizado. Siga estes passos para imprimir em um Macintosh:



OBSERVAÇÃO: A janela do driver da LaserWriter pode ser diferente dependendo da versão do sistema Macintosh, mas os recursos disponíveis são os mesmos.

- 1 Abra um aplicativo Macintosh e selecione o arquivo que pretende imprimir.
- 2 Abra o menu **Arquivo** e clique em **Configuração de página** (**Configuração de documento** em alguns aplicativos).

- Escolha o tamanho, a orientação, a escala e outras opções e clique em **OK**.



▲ Mac OS 10.2.x

- Abra o menu **Arquivo** e clique em **Imprimir**.
- Escolha o número de cópias e indique quais páginas pretende imprimir.
- Clique em **Imprimir** quando terminar de definir as opções.

Utilizar os recursos de impressão avançados

Imprimir várias páginas em uma folha de papel

É possível selecionar o número de páginas que serão impressas em uma única folha de papel. Esse recurso apresenta uma maneira econômica para imprimir páginas de rascunho.

- No aplicativo do Macintosh, selecione **Imprimir** no menu **Arquivo**.
- Selecione o **Layout**.



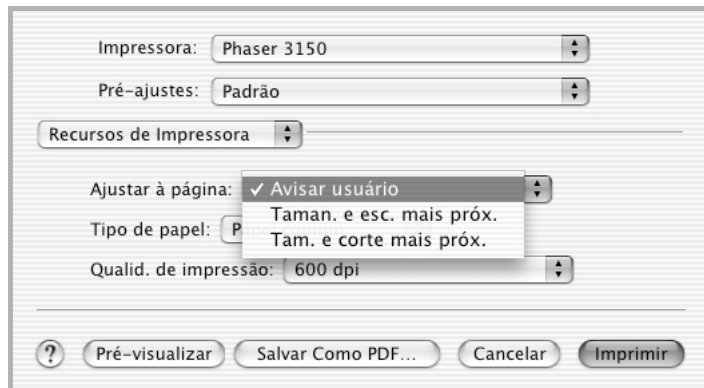
▲ Mac OS 10.2.x

- 3 Clique em **Imprimir**, e a impressora imprimirá o número de páginas selecionado em um lado de cada página.

Imprimir o documento no tamanho de papel selecionado

Essa função permite definir a escala do trabalho de impressão em qualquer tamanho de papel especificado, independentemente do tamanho do documento.

- 1 No aplicativo do Macintosh, selecione **Imprimir** no menu **Arquivo**.
- 2 Selecione os **Recursos de impressora**. (Selecione as **Opções avançadas** se for usuário de um Mac OS 8.6 - 9.2.)
- 3 Selecione uma opção na lista suspensa **Ajustar à página** e clique em **Imprimir**.



▲ Mac OS 10.2.x

- **Taman. e esc. mais próx.:** A impressora automaticamente seleciona o papel de tamanho mais próximo ao do documento e reduz ou amplia a página para ajustá-la ao papel.
- **Tam. e corte mais próx.:** A impressora seleciona automaticamente o papel de tamanho mais próximo ao do documento e imprime a página no tamanho real. Todos os dados excedentes são cortados para ajustar a página ao papel.

Español

Uso de un controlador PostScript

Con el fin de utilizar el controlador PostScript que incorpora el CD-ROM de su equipo para imprimir documentos, haga uso de la información que contiene este manual.

Este capítulo incluye:

- **Instalación de un DIMM PostScript**
- **Uso de un controlador PostScript en Windows**
- **Uso de un controlador PostScript en Macintosh**

*Emulación PostScript 3



(c) Copyright 1998-2003 Zoran Corporation. Todos los derechos reservados. Zoran, el logotipo de Zoran, IPS/PS3 y OneImage son marcas comerciales de Zoran Corporation.

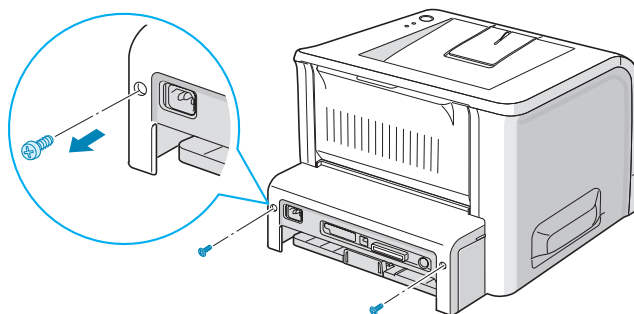
*Fuentes 136 PS3

UFST® y MicroType™ de Agfa Monotype Corporation.

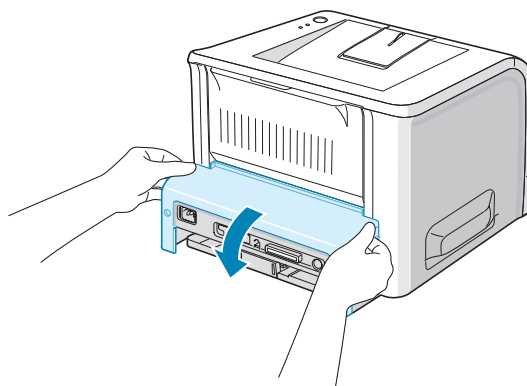
Instalación de un DIMM PostScript

Es necesario instalar un DIMM PostScript opcional para poder utilizar el controlador PostScript. La opción PostScript está disponible si se ha instalado un DIMM (Módulo de memoria dual en línea).

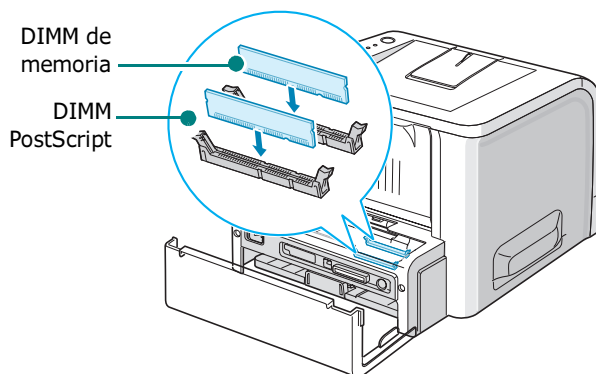
- 1 Apague y desenchufe todos los cables de la impresora.
- 2 Retire los dos tornillos de la parte posterior de la impresora.



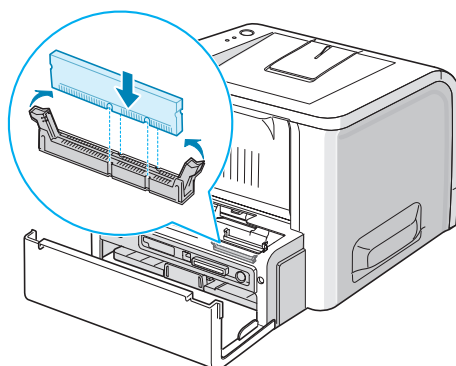
- 3 Abra la cubierta de la placa de control.



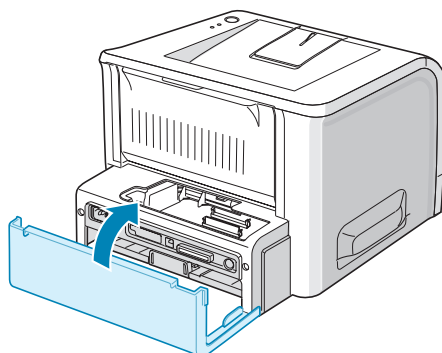
- 4** Busque la ranura del DIMM PostScript más cercano al extremo trasero y la ranura del DIMM de memoria más cercano al cuerpo de la impresora en la placa de control. No son intercambiables.



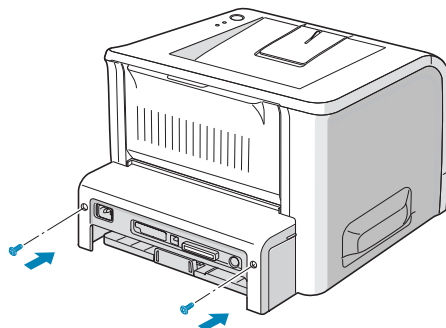
- 5** Sujete el DIMM PostScript de manera que las muescas estén alineadas con los surcos como se muestra y empuje en posición recta el DIMM PostScript en la ranura del DIMM hasta que quede bien insertado. Asegúrese de que los cierres ajustan por encima de las muescas situadas a ambos lados del DIMM.



- 6** Cierre la cubierta de la placa de control.



7 Sustituya los dos tornillos.



8 Vuelva a conectar el cable de alimentación y el cable de la impresora y, a continuación, encienda la impresora.



NOTA: Si desea utilizar un DIMM de memoria opcional junto con el controlador de impresora PostScript, debe seleccionarlo en las propiedades de impresora tras instalar el DIMM de memoria.

A tal efecto:

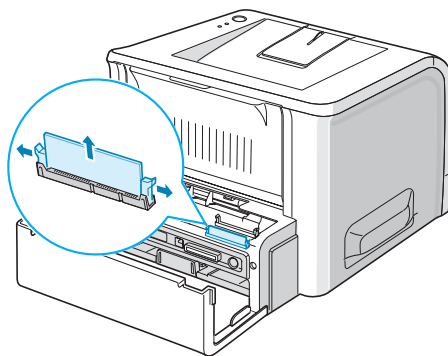
1. Haga clic en el menú **Inicio** de Windows.
2. En Windows 98/Me/NT 4.0/2000, seleccione **Configuración** y, a continuación, **Impresoras**.

En Windows XP, seleccione **Impresoras y faxes**.

3. Seleccione el controlador de impresora PostScript correspondiente a 3150.
4. Haga clic con el botón derecho del ratón en el icono de la impresora y seleccione **Propiedades**.
5. En Windows 98/Me, seleccione la ficha **Opciones de dispositivo**.
En Windows NT 4.0/2000/XP, seleccione la ficha **Configuración de dispositivo**.
6. Seleccione el tamaño total de memoria instalado en **Opción instalable**. Por ejemplo, si tiene instalado un DIMM de memoria de 32 MB, seleccione a continuación 64 MB (memoria adicional + memoria base de 32 MB) y haga clic en **Aceptar**.
En Windows 98, seleccione **Opción instalable** → **Opción MV** → **cambiar configuración para: Opción MV** → Seleccione el tamaño total de memoria instalado.

Extracción del DIMM PostScript

- 1** Siga los pasos del 1 al 3 que se encuentran en la página 2 para acceder a la placa de control.
- 2** Empuje hacia afuera las sujeciones que se encuentran en el extremo del conector de manera que el DIMM quede libre.



- 3** Para que el DIMM no sufra daños, colóquelo en su embalaje original o en una bolsa antiestática y guárdelo en una caja.
- 4** Cierre la cubierta de la placa de control.
- 5** Sustituya los dos tornillos.
- 6** Vuelva a conectar el cable de alimentación y el cable de la impresora y, a continuación, encienda la impresora.

Uso de un controlador PostScript en Windows

Instalación de un controlador PostScript



NOTA: El siguiente procedimiento está basado en Windows XP. Los pasos para instalar el controlador PostScript pueden variar en función del sistema operativo que utilice. Instalación de un controlador PostScript.

- 1** Coloque el CD-ROM que se entrega con la impresora en la unidad de CD-ROM.
- 2** Haga clic en el menú **Inicio**.
- 3** En Windows 98/Me/NT 4.0/2000, seleccione **Configuración** y, a continuación, **Impresoras**.
En Windows XP, seleccione **Impresoras y faxes**.
- 4** En Windows 98/Me/NT 4.0/2000, haga doble clic en **Agregar impresora**.
En Windows XP, haga clic en **Agregar una impresora**.
- 5** Se abre el Asistente para agregar impresoras. Haga clic en **Siguiente**.
- 6** Seleccione **Impresora local conectada a este equipo** y haga clic en **Siguiente**.
- 7** Seleccione el puerto que desee utilizar y haga clic en **Siguiente**.
- 8** Haga clic en **Utilizar disco** y, a continuación, seleccione:
 - En Windows 9x, **x:\P3150\Printer\AddPrinter\PS\SPANISH** (o el idioma que desee) **\Win9x\ setup.inf**.
 - En Windows NT 4.0, **x:\P3150\Printer\AddPrinter\PS\SPANISH** (o el idioma que desee) **\Winnt\ setup.inf**.
 - En Windows 2000, **x:\P3150\Printer\AddPrinter\PS\SPANISH** (o el idioma que desee) **\Win2k\ setup.inf**.
 - En Windows XP, **x:\P3150\Printer\AddPrinter\PS\SPANISH** (o el idioma que desee) **\Winxp\ setup.inf**.(donde x es la letra de la unidad asignada para la unidad de CD-ROM)
A continuación, haga clic en **Aceptar**.

- 9 Cuando aparezca **Xerox Phaser 3150 PS** en la lista de impresoras, haga clic en **Siguiente**.
- 10 Introduzca un nombre para la impresora y haga clic en **Siguiente**.
- 11 Especifique si desea compartir o no la impresora en una red y haga clic en **Siguiente**.
- 12 Si desea compartir la impresora en la red, especifique la ubicación y recursos de la impresora y haga clic en **Siguiente**.
- 13 Cuando aparece una ventana en la que se le solicita que imprima una página de prueba, seleccione **Sí** o **No** y haga clic en **Siguiente**.
- 14 Una vez terminada la instalación, haga clic en **Finalizar**.
- 15 Si selecciona **Sí** en el Paso 13, la impresora imprime una página de prueba. Cuando la página se imprima correctamente, haga clic en **Aceptar**.

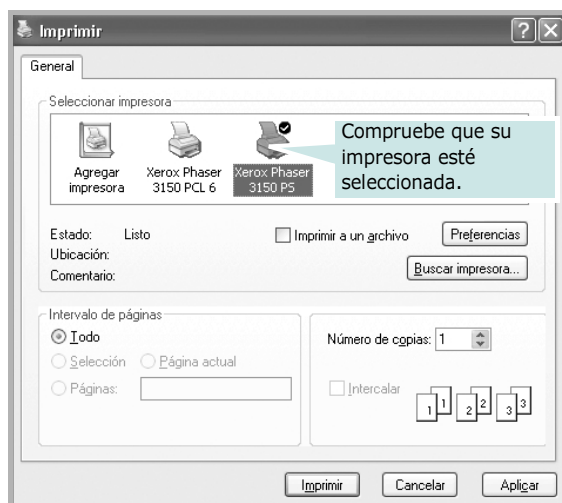
Si no se imprime correctamente, haga clic en **Solución de problemas** para resolver el problema de su impresora.

Impresión de un documento

A continuación, se describen los pasos generales que es preciso efectuar para imprimir con el controlador PostScript. Es posible que varíen los pasos exactos para imprimir un documento en función del programa de aplicación que se esté utilizando. Consulte el manual de usuario de la aplicación de software para obtener información exacta sobre el proceso de impresión.

- 1 Abra el documento que desee imprimir.
- 2 Seleccione **Imprimir** en el menú **Archivo**. Aparece la ventana Imprimir (su aspecto puede variar ligeramente en función de la aplicación).

La configuración básica de impresión se selecciona en la ventana Imprimir. En la configuración se incluye el número de copias y los intervalos de impresión.



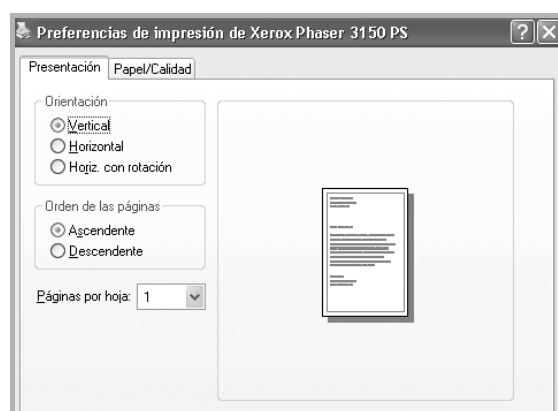
▲ Windows XP

- 3 Para obtener el máximo rendimiento de las opciones que le ofrece la impresora, haga clic en **Preferencias**, en la ventana de impresión de la aplicación y vaya al paso 4.

Si en la ventana aparece **Configurar, Impresora** u **Opciones**, haga clic en este botón en su lugar. A continuación, haga clic en **Preferencias** en la pantalla siguiente.

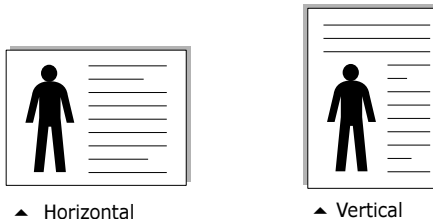
- 4 La ventana Preferencias de impresión de Xerox Phaser 3150 PS permite acceder a toda la información que necesita para usar su impresora.

En primer lugar aparece la ficha **Presentación**.



La opción **Orientación** permite seleccionar la dirección en la que desea imprimir los datos en la página.

- **Vertical** imprime los datos en la página con orientación vertical, tipo carta.
- **Horizontal** imprime a lo largo de la página, como una hoja de cálculo.
- **Horiz. con rotación** gira la página al revés.



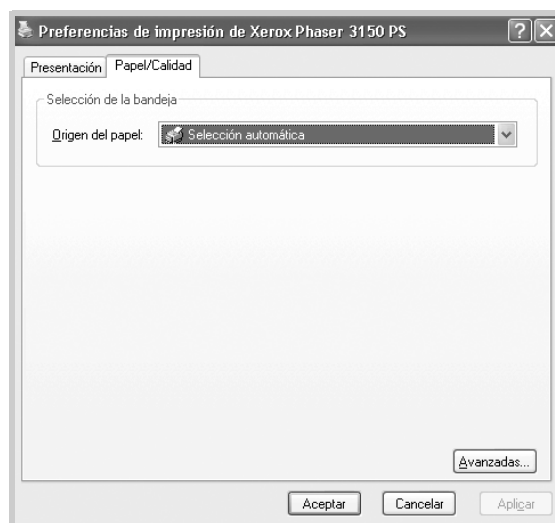
La opción **Orden de las páginas** permite seleccionar el orden en el que se imprimirán las páginas.

- **Ascendente** imprime en el orden correcto.
- **Descendente** imprime en el orden inverso.

La opción **Páginas por hoja** permite seleccionar el número de páginas que se imprimen en una hoja de papel. Puede seleccionar 1, 2, 4, 6, 9 y 16.

- 5** Haga clic en la ficha **Papel/Calidad** para seleccionar el origen del papel a partir de la lista desplegable de opciones **Origen del papel**.

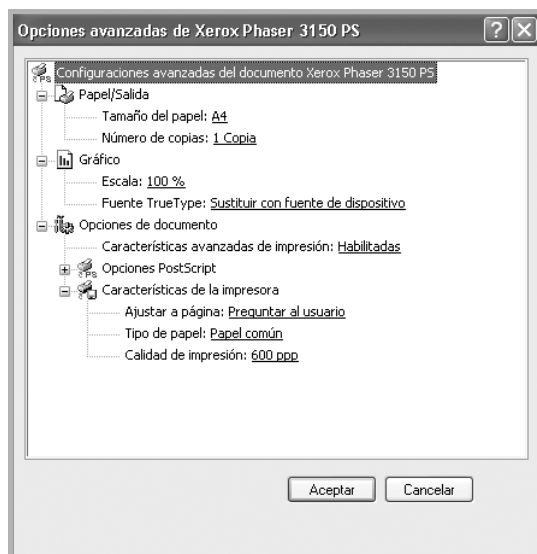
Seleccione el origen del papel que va a utilizar con el controlador PostScript entre **Bandeja 1**, **Bandeja 2**, **Bandeja 3** y **Bandeja 1(Manual)**.



NOTA: Puede hacer clic en **?** que se encuentra situado en la parte superior derecha y, a continuación, seleccionar cualquier configuración. La pantalla de ayuda proporciona información detallada acerca de las opciones de impresión disponibles cuando aparece el controlador de impresora.

Uso de funciones de impresión avanzadas

Haga clic en el botón **Avanzadas** en la ventana Preferencias de impresión de Xerox Phaser 3150 PS para utilizar la opción avanzada.



- **Papel/Salida** permite seleccionar el tamaño del papel y el número de copias por imprimir.
- **Gráfico** permite ajustar a escala el trabajo de impresión en una página y establecer la manera de visualizar el texto en el documento.
- **Opciones de documento** permite habilitar o deshabilitar las opciones avanzadas de impresión.
- **Opciones PostScript** permite utilizar las diversas opciones de PostScript.
- **Características de la impresora** permite seleccionar el tipo de papel cargado en la impresora, la resolución de impresión y la ajustar la escala del trabajo de impresión a cualquier tamaño de papel seleccionado.

Uso de un controlador PostScript en Macintosh

Instalación de un archivo PPD para un controlador PostScript

El CD-ROM que se suministra con la impresora incluye el archivo PPD para utilizar con el controlador PostScript, además del controlador Apple LaserWriter para imprimir en un ordenador Macintosh.

Compruebe lo siguiente antes de instalar el software de la impresora:

Elemento	Requisitos	
Sistema operativo	Mac OS 8.6 - 9.2/10.1 - 10.3	
RAM	Mac OS 8.6 - 9.2	64 MB
	Mac OS 10.1 - 10.3	128 MB
Espacio libre en disco	200 MB	

- 1 Encienda el ordenador y la impresora.
- 2 Inserte el CD-ROM que se entrega con la impresora en la unidad de CD-ROM del equipo.
- 3 Haga doble clic en **P3150** situado en el escritorio de su Macintosh.
- 4 Haga doble clic en la carpeta del **instalador**.
- 5 Haga doble clic en el icono del Instalador según sea la versión del SO de su equipo.
 - **Xerox Phaser 3150 Classic:** Mac OS 8.6 - 9.2
 - **Xerox Phaser 3150 OSX:** Mac 10.1 - 10.3
- 6 Haga clic en **Continuar**.
- 7 Haga clic en **Instalar**.
- 8 Una vez completada la instalación, haga clic en **Salir**.

Instalación de la impresora

El método de configuración de la impresora es distinto en función del cable que utilice para conectar la impresora al ordenador, un cable de red o un cable USB.

Para un ordenador Macintosh conectado a una red

En Mac OS 8.6 - 9.2

- 1 Siga las instrucciones descritas en la página 11 para instalar el archivo PPD en el equipo.
- 2 En el menú **Apple**, seleccione **Selector**.
- 3 Haga clic en **LaserWriter 8** (el controlador PostScript que se suministra con el ordenador Macintosh).
El nombre de la impresora aparece en la lista.
- 4 Seleccione **XRX000xxxxxxxx** del cuadro de impresión (donde xxxxxxxxx varía en función de la impresora) y haga clic en **Seleccionar**.
Si la configuración automática no funciona correctamente, haga clic en **Seleccionar PPD**, elija **Xerox Phaser 3150** y haga clic en **Aceptar**.
- 5 Cuando se haya completado la configuración, se crea el icono de la impresora como una impresora de escritorio.
- 6 Cierre el **Selector**.
- 7 Cuando aparezca una ventana indicando que ha cambiado la impresora actual, pulse **OK**.

En Mac OS 10.1 - 10.3

- 1 Siga las instrucciones descritas en la página 11 para instalar el archivo PPD en el equipo.
- 2 Abra la utilidad **Centro de Impresión** de la carpeta Utilidades.
- 3 Haga clic en **Añadir** en la lista de impresoras.
- 4 Seleccione la pestaña **AppleTalk**.
El nombre de la impresora aparece en la lista. Seleccione **XRX000xxxxxxxx** del cuadro de impresión, donde xxxxxxxxx varía en función de la impresora.

- 5 Haga clic en **Añadir**.
- 6 Si la Selección automática no funciona correctamente, seleccione **Xerox** en Modelo de impresora y **Xerox Phaser 3150** en Nombre del modelo.

La impresora aparecerá en la lista y quedará definida como una impresora por omisión.

Para un ordenador Macintosh conectado mediante USB

En Mac OS 8.6 - 9.2



NOTA: La ubicación de la Utilidad Impresora Escritorio puede variar dependiendo de la versión de Mac OS que utilice.

- 1 Siga las instrucciones descritas en la página 11 para instalar el archivo PPD en el equipo.
- 2 En el **Macintosh**, haga doble clic en **Aplicación**.
- 3 Haga doble clic en **Utilidades**.
- 4 Haga doble clic en **Utilidad impresora escritorio**.
- 5 Seleccione **LaserWriter 8** y seleccione **Impresora (USB)** en el cuadro de la lista. A continuación, haga clic en **OK**.
- 6 Haga clic en **Modificar** que se encuentra en la sección de selección de la impresora USB. El nombre de la impresora aparece en la lista.
- 7 Haga clic en **Phaser 3150** y en **OK**.
- 8 Haga clic en **Auto Setup** en la sección del archivo PPD (PostScript Printer Description).
Si la configuración automática no funciona correctamente, haga clic en **Seleccionar PPD** y elija **Xerox Phaser 3150**.
- 9 Una vez completada la instalación, haga clic en **Create**.
- 10 Haga clic en **Guardar**.
- 11 Rellene el campo **Nombre de Impresora** y, a continuación, haga clic en **OK**.

En Mac OS 10.1 - 10.3

- 1 Siga las instrucciones descritas en la página 11 para instalar el archivo PPD en el equipo.
- 2 Abra la utilidad **Centro de Impresión** de la carpeta Utilidades.
- 3 Haga clic en **Añadir** en la lista de impresoras.
- 4 Seleccione la pestaña **USB**.
- 5 Seleccione **Phaser 3150** y haga clic en **Añadir**.
- 6 Si la Selección automática no funciona correctamente, seleccione **Xerox** en Modelo de impresora y **Xerox Phaser 3150** en Nombre del modelo.

La impresora aparecerá en la lista y quedará definida como una impresora por omisión.

Impresión de un documento

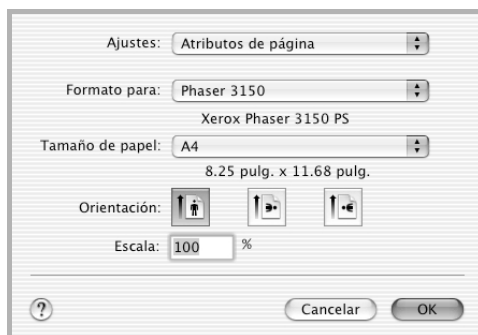
Al imprimir con un Macintosh, es necesario comprobar la configuración del software de impresión de cada aplicación que utilice. Siga estos pasos para imprimir desde un Macintosh:



NOTA: La ventana del controlador LaserWriter puede ser diferente dependiendo de la versión de sistema Macintosh que utilice; sin embargo, las características disponibles son las mismas.

- 1 Abra una aplicación de Macintosh y seleccione el archivo que desee imprimir.
- 2 Abra el menú **Archivo** y haga clic en **Configurar página** (**Configurar documento** en algunas aplicaciones).

- 3 Elija el tamaño, la orientación, la escala y otras opciones, y haga clic en **OK**.



▲ Mac OS 10.2.x

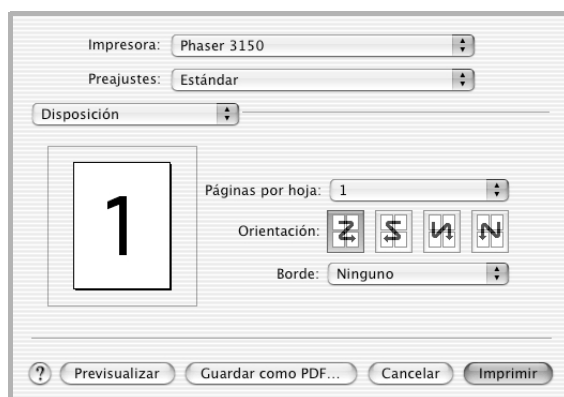
- 4 Abra el menú **Archivo** y haga clic en **Imprimir**.
- 5 Elija el número de copias que desea e indique las páginas que desea imprimir.
- 6 Haga clic en **Imprimir** cuando haya terminado de configurar las opciones.

Uso de funciones de impresión avanzadas

Impresión de varias páginas en una sola hoja de papel seleccionado

Puede imprimir más de una página en una única hoja de papel. Esta función proporciona un modo económico de imprimir borradores.

- 1 Desde la aplicación Macintosh que esté utilizando, seleccione **Imprimir** en el menú **Archivo**.
- 2 Seleccione la **Disposición**.



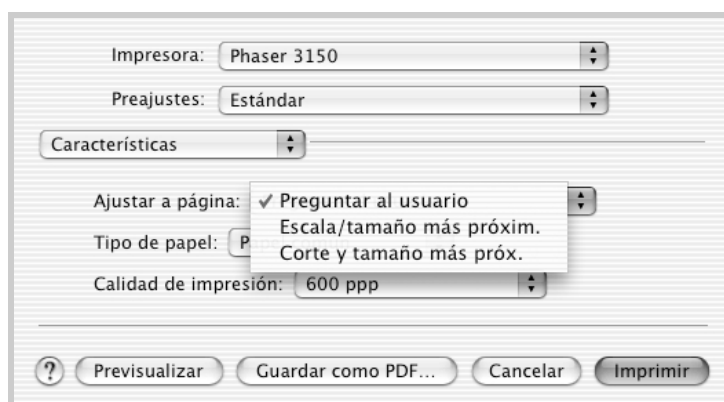
▲ Mac OS 10.2.x

- 3 Haga clic en **Imprimir**; la impresora imprimirá el número de páginas seleccionado en cada hoja.

Impresión del documento con un tamaño de papel seleccionado

Esta función permite ampliar o reducir el trabajo de impresión a cualquier tamaño de papel especificado, independientemente del tamaño del documento digital.

- 1 Desde la aplicación Macintosh que esté utilizando, seleccione **Imprimir** en el menú **Archivo**.
- 2 Seleccione **Características**. (Seleccione the **Opciones avanzadas** si es usuario de Mac OS 8.6 - 9.2).
- 3 Seleccione una opción de la lista **Ajustar a página** y haga clic en **Imprimir**.



▲ Mac OS 10.2.x

- Escala/tamaño más próxim.:** La impresora selecciona automáticamente el tamaño de papel más cercano al tamaño del documento y reduce o aumenta la página para que se ajuste al papel.
- Corte y tamaño más próx.:** La impresora selecciona automáticamente el tamaño de papel más cercano al tamaño del documento e imprime la página con el tamaño real. Cualquier dato sobrante se recorta para que la página quepa en el papel.

Русский

Использование драйвера PostScript

Для печати документов с использованием драйвера PostScript, поставляемого на диске вместе с системой, следуйте инструкциям, приведенным в данном руководстве.

В главу входят следующие разделы:

- **Установка модуля памяти DIMM PostScript**
- **Использование драйвера PostScript в Windows**
- **Использование драйвера PostScript для Macintosh**

*Эмуляция PostScript 3



(c) Copyright 1998-2003 Zoran Corporation. Все права защищены. Zoran, логотип Zoran, IPS/PS3 и OneImage являются торговыми марками корпорации Zoran.

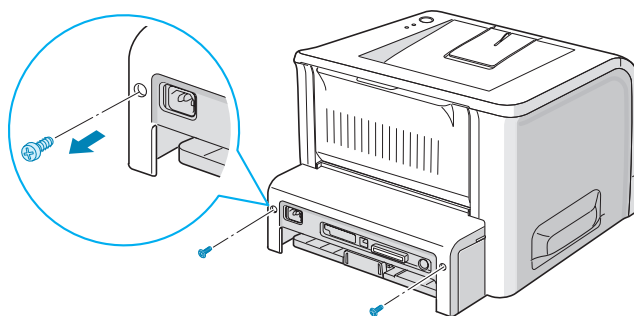
*136 шрифтов PS3

Содержит UFST® и MicroType™ корпорации Agfa Monotype.

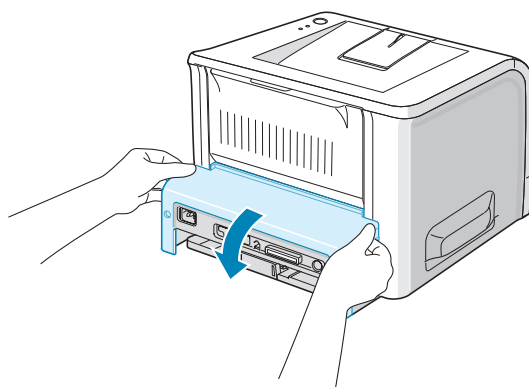
Установка модуля памяти DIMM PostScript

Для использования драйвера PostScript необходимо установить дополнительный модуль памяти DIMM PostScript. Функцию PostScript возможно использовать только при установленном модуле памяти DIMM (Dual In-line Memory Module - модуль памяти с двухрядным расположением выводов).

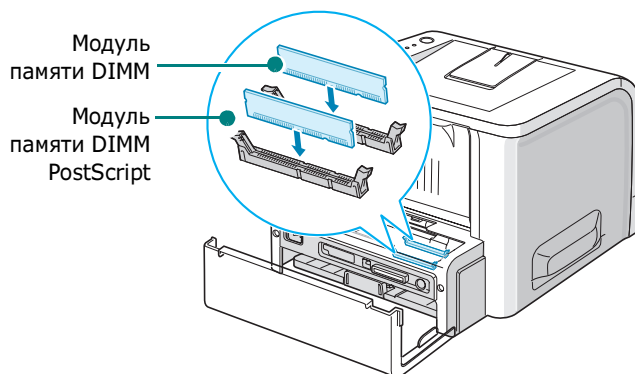
- 1 Выключите принтер и отключите все шнуры.
- 2 Выкрутите два винта на задней панели принтера.



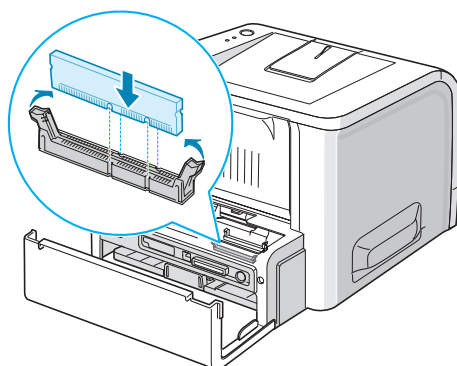
- 3 Откройте крышку панели управления.



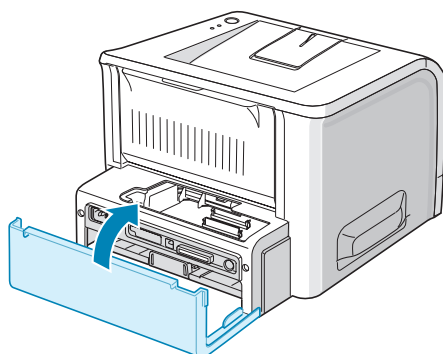
- 4** Найдите разъем памяти DIMM PostScript (находится рядом с задним краем) и разъем памяти DIMM (находится рядом с корпусом принтера на панели управления). Эти разъемы не взаимозаменяемы.



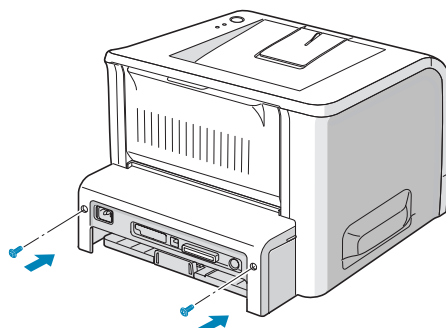
- 5** Держите модуль памяти DIMM PostScript так, чтобы выступы совпадали с прорезями, как показано ниже, и вставьте модуль памяти DIMM PostScript до упора прямо в разъем памяти DIMM. Убедитесь, что защелки закрылись за выступами на обеих сторонах модуля памяти DIMM.



- 6** Закройте крышку панели управления.



7 Завинтите два винта.



8 Вновь подключите шнур питания и кабель принтера и включите принтер.



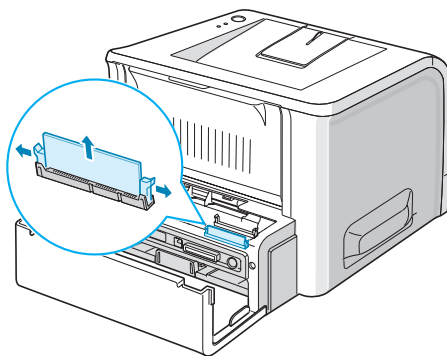
Примечание: Если Вы хотите использовать с драйвером принтера PostScript дополнительный модуль памяти DIMM, Вам необходимо выбрать его в свойствах принтера после установки модуля памяти DIMM.

Для этого:

1. Откройте меню **Пуск**.
2. В операционной системе Windows 98/Me/NT 4.0/2000 последовательно выберите пункты **Настройка** и **Принтеры**.
В системе Windows XP выберите пункт **Принтеры и факсы**.
3. Выберите драйвер принтера PostScript для 3150.
4. Щелкните правой кнопкой мыши на значке принтера и выберите **Свойства**.
5. В Windows 98/Me выберите вкладку **Параметры устройства**.
В Windows NT 4.0/2000/XP выберите вкладку **Настройки устройства**.
6. Выберите общий установленный объем памяти в поле **Устанавливаемые компоненты**. Например, если Вы установили модуль памяти DIMM 32 Мб, выберите 64 Мб (дополнительная память + 32 Мб базовой памяти) и нажмите на кнопку **ОК**.
В Windows 98 выберите **Устанавливаемые компоненты** → **VMOption** → **изменение настроек:VMOption** → Выберите общий установленный объем памяти.

Удаление модуля памяти DIMM PostScript

- 1** Для доступа к панели управления выполните шаги 1-3 на с. 2.
- 2** Нажмите защелки с обеих сторон разъема от модуля памяти DIMM.



- 3** Для защиты модуля памяти DIMM храните его в оригинальной упаковке или положите его в антистатический пакет и храните в коробке.
- 4** Закройте крышку панели управления.
- 5** Завинтите два винта.
- 6** Вновь подключите шнур питания и кабель принтера и включите принтер.

Использование драйвера PostScript в Windows

Установка драйвера PostScript



Примечание: Описанная ниже процедура относится к Windows XP. Порядок установки драйвера PostScript может различаться в зависимости от используемой операционной системы. Установите входящий в комплект поставки принтера компакт-диск в устройство для чтения компакт-дисков.

- 1 Установите входящий в комплект поставки принтера компакт-диск в устройство для чтения компакт-дисков.
- 2 Откройте меню **Пуск**.
- 3 В операционной системе Windows 98/Me/NT 4.0/2000 последовательно выберите пункты **Настройка и Принтеры**.
В системе Windows XP выберите пункт **Принтеры и факсы**.
- 4 В Windows 98/Me/NT 4.0/2000 дважды щелкните на значке **Установка принтера**.
В Windows XP нажмите на кнопку **Добавить принтер**.
- 5 Откроется мастер-программа установки принтера. Нажмите на кнопку **Далее**.
- 6 Выберите **Локальный принтер, подключенный к данному компьютеру** и нажмите на кнопку **Далее**.
- 7 Выберите порт, который Вы хотите использовать, и нажмите на кнопку **Далее**.
- 8 Нажмите на кнопку **Установить с диска** и затем выберите:
 - В Windows 9x: **x:\P3150\Printer\AddPrinter\PS\RUSSIAN** (или желаемый язык) **\Win9x\ setup.inf**.
 - В Windows NT 4.0: **x:\P3150\Printer\AddPrinter\PS\RUSSIAN** (или желаемый язык) **\Winnt\ setup.inf**.
 - В Windows 2000, **x:\P3150\Printer\AddPrinter\PS\RUSSIAN** (или желаемый язык) **\Win2k\ setup.inf**.
 - В Windows XP, **x:\P3150\Printer\AddPrinter\PS\RUSSIAN** (или желаемый язык) **\Winxp\ setup.inf**.(где x соответствует букве, присвоенной устройству для чтения компакт-дисков)
Нажмите на кнопку **ОК**.

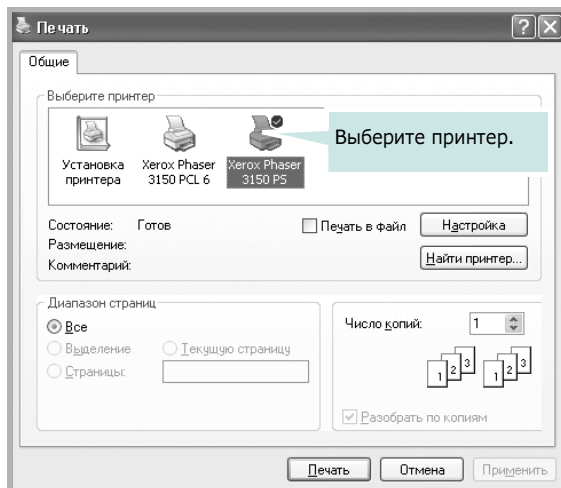
- 9 Когда в списке принтеров появится **Xerox Phaser 3150 PS**, нажмите на кнопку **Далее**.
- 10 Введите имя принтера и нажмите на кнопку **Далее**.
- 11 Выберите, хотите ли Вы совместно использовать Ваш принтер с другими пользователями сети или нет, и нажмите на кнопку **Далее**.
- 12 Если Вы хотите совместно использовать принтер, опишите местоположение и возможности принтера и нажмите на кнопку **Далее**.
- 13 Когда появится окно с предложением напечатать тестовую страницу, выберите **Да** или **Нет** и нажмите на кнопку **Далее**.
- 14 После завершения установки нажмите на кнопку **Готово**.
- 15 Если Вы выбрали **Да** на шаге 13, принтер напечатает тестовую страницу. Когда страница будет напечатана правильно, нажмите на кнопку **ОК**.
Если страница не напечатана правильно, нажмите на кнопку **Устранение неисправностей** для разрешения проблем с принтером.

Печать документа

Ниже приведены основные шаги, которые необходимо выполнить для печати с использованием драйвера PostScript. В зависимости от приложения эти действия могут изменяться. Подробную информацию о последовательности действий при печати см. в руководстве пользователя программного обеспечения.

- 1 Откройте документ, который необходимо распечатать.
- 2 Выберите пункт **Печать** в меню **Файл**. Откроется окно "Печать". Вид окна может различаться в зависимости от приложения.

Основные параметры печати устанавливаются в окне "Печать". К таким настройкам относится число копий и диапазон печати.



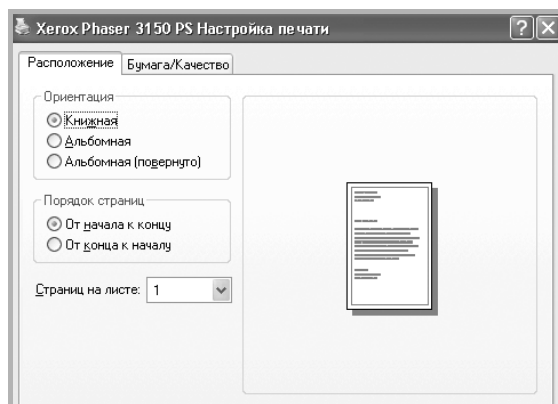
▲ Windows XP

- 3 Чтобы полностью воспользоваться возможностями принтера, нажмите на кнопку **Свойства** в окне печати приложения и перейдите к шагу 4.

Если в окне есть кнопка **Установка, Принтер** или **Параметры**, нажмите на эту кнопку. В следующем окне нажмите на кнопку **Свойства**.

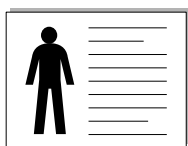
- 4 Окно "PS Xerox Phaser 3150 Настройка печати" позволяет получить доступ ко всем параметрам, необходимым при работе с принтером.

Первой отображается вкладка **Расположение**.

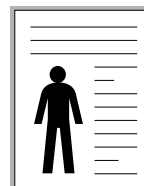


В поле **Ориентация** можно выбрать направление расположения информации на странице при печати.

- **Книжная** - печать по ширине страницы (стиль писем).
- **Альбомная** - печать по длине страницы (стиль крупноформатных таблиц).
- **Альбомная (повернуто)** - переворачивает страницу на 180°.



▲ Альбомная



▲ Книжная

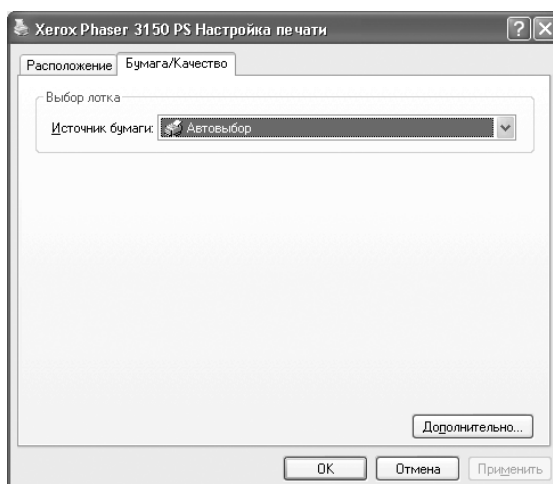
В поле **Порядок страниц** можно выбрать порядок печати страниц.

- **От начала к концу** - печать страниц в обычном порядке.
- **От конца к началу** - печать страниц в обратном порядке.

В поле **Страниц на листе** можно выбрать количество страниц, которое будет напечатано на одном листе бумаги. Возможные варианты: 1, 2, 4, 6, 9 и 16.

5 Щелкните на вкладке **Бумага/Качество** для выбора источника бумаги из раскрывающегося списка **Источник бумаги**.

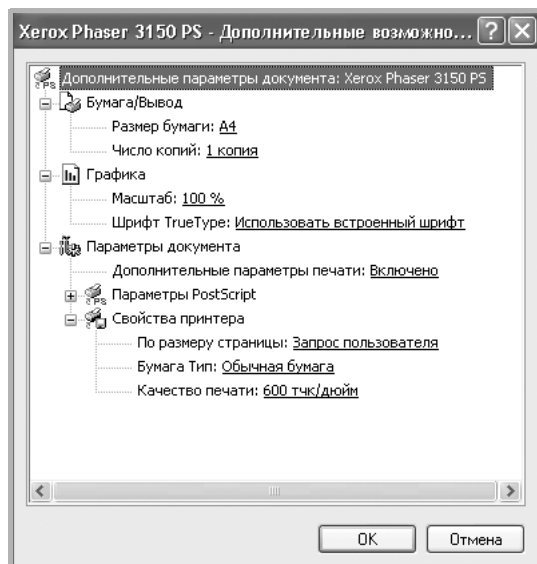
Выберите источник бумаги, который Вы будете использовать при печати с драйвером PostScript, из **Лоток 1**, **Лоток 2**, **Лоток 3** и **Лоток 1 (Ручная подача)**.



Примечание: Вы можете щелкнуть на значке **?** в правом верхнем углу и затем щелкнуть на любом параметре. Появится экран справки с подробной информацией о возможностях принтера, предоставляемых драйвером.

Использование дополнительных параметров печати

Нажмите на кнопку **Дополнительно** в окне "PS Xerox Phaser 3150 Настройка печати" для использования дополнительных параметров.



- **Бумага/Вывод** - позволяет выбрать размер бумаги и количество копий.
- **Графика** - позволяет масштабировать задание печати на странице и определять способ отображения текста в документе.
- **Параметры документа** - позволяет включить или отключить дополнительные параметры печати.
- **Параметры PostScript** - позволяет использовать имеющиеся функции PostScript.
- **Свойства принтера** - позволяет выбрать тип бумаги, загруженной в принтер, разрешение печати и масштабирование задания на печать на выбранный размер бумаги.

Использование драйвера PostScript для Macintosh

Установка PPD для драйвера PostScript

На входящем в комплект поставки принтера компакт-диске находится PPD-файл для использования драйвера PostScript, драйвера Apple LaserWriter, предназначенные для печати с компьютера Macintosh.

Перед установкой программного обеспечения для принтера проверьте следующее:

Элемент	Требования	
Операционная система	Mac OS 8.6 - 9.2/10.1 - 10.3	
ОЗУ	Mac OS 8.6 - 9.2	64 Мб
	Mac OS 10.1 - 10.3	128 Мб
Свободное место на диске	200 Мб	

- 1 Включите компьютер и принтер.
- 2 Вставьте компакт-диск, входящий в комплект поставки принтера, в устройство для чтения компакт-дисков компьютера.
- 3 Дважды щелкните на **P3150** на рабочем столе Macintosh.
- 4 Дважды щелкните на папке **Installer**.
- 5 Дважды щелкните на значке **Installer** в зависимости от версии ОС.
 - **Xerox Phaser 3150 Classic**: Mac OS 8.6 - 9.2
 - **Xerox Phaser 3150 OSX**: Mac 10.1 - 10.3
- 6 Нажмите на кнопку **Continue Installation**.
- 7 Нажмите на кнопку **Install**.
- 8 После завершения установки нажмите на кнопку **Quit**.

Установка принтера

Процедура установки принтера отличается в зависимости от того, какой кабель Вы используете для его подсоединения к компьютеру (сетевой или USB).

Для компьютера с операционной системой Macintosh, подключенного к сети

В Mac OS 8.6 - 9.2

- 1 Для установки PPD-файла на компьютер следуйте инструкциям, приведенным на с. 11.
- 2 В меню **Apple** выберите пункт **Chooser**.
- 3 Выберите пункт **LaserWriter 8** (драйвер PostScript, включенный в операционную систему Macintosh).
В списке появится имя принтера.
- 4 Выберите **XRX000xxxxxxxx** (где xxxxxxxxx зависит от конкретной модели принтера) из списка принтеров и нажмите на кнопку **Select**.
Если автоматическая установка не сработает, нажмите на кнопку **Select PPD**, выберите **Xerox Phaser 3150** и нажмите на кнопку **OK**.
- 5 После завершения установки Вы увидите значок принтера, созданный как настольный принтер.
- 6 Закройте **Chooser**.
- 7 Когда на экране появится сообщение о смене текущего принтера, нажмите на кнопку **OK**.

В Mac OS 10.1 - 10.3

- 1 Для установки PPD-файла на компьютер следуйте инструкциям, приведенным на с. 11.
- 2 Запустите приложение **Print Center** из папки "Utilities".
- 3 Нажмите на кнопку **Add** в окне "Printer List".
- 4 Выберите вкладку **AppleTalk**.
В списке появится имя принтера. Выберите **XRX000xxxxxxxx** (где xxxxxxxxx различается в зависимости от принтера) в диалоговом окне выбора принтера.

- 5 Нажмите на кнопку **Add**.
- 6 Если автоматическая установка не сработает, выберите **Xerox** в поле "Printer Model" и **Xerox Phaser 3150** в поле "Model Name".
Ваш принтер появится в списке принтеров и будет установлен в качестве принтера по умолчанию.

Для компьютера Macintosh, подключенного через интерфейс USB

В Mac OS 8.6 - 9.2



Примечание: Местонахождение утилиты "Desktop Printer Utility" в разных операционных системах Macintosh может быть различным.

- 1 Для установки PPD-файла на компьютер следуйте инструкциям, приведенным на с. 11.
- 2 В меню **Macintosh** дважды щелкните на **Application**.
- 3 Выберите папку **Utilities**.
- 4 Выберите пункт **Desktop Printer Utility**.
- 5 Выберите пункт **LaserWriter 8** и выберите значение **Printer (USB)** из списка. Нажмите на кнопку **OK**.
- 6 Нажмите на кнопку **Change** в группе "USB Printer Selection". В списке появится имя принтера.
- 7 Выберите **Phaser 3150** и нажмите на кнопку **OK**.
- 8 Нажмите на кнопку **Auto Setup** в группе "PostScript Printer Description (PPD) File".
Если автоматическая установка не сработает, щелкните на **Select PPD** и выберите **Xerox Phaser 3150**.
- 9 После завершения установки нажмите на кнопку **Create**.
- 10 Нажмите на кнопку **Save**.
- 11 Заполните поле **Printer Name** и нажмите на кнопку **OK**.

В Mac OS 10.1 - 10.3

- 1 Для установки PPD-файла на компьютер следуйте инструкциям, приведенным на с. 11.
- 2 Запустите приложение **Print Center** из папки "Utilities".
- 3 Нажмите на кнопку **Add** в окне "Printer List".
- 4 Выберите вкладку **USB**.
- 5 Выберите **Phaser 3150** и щелкните на **Add**.
- 6 Если автоматическая установка не сработает, выберите **Xerox** в поле "Printer Model" и **Xerox Phaser 3150** в поле "Model Name".

Ваш принтер появится в списке принтеров и будет установлен в качестве принтера по умолчанию.

Печать документа

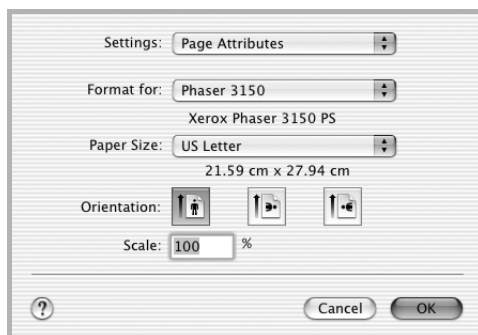
При печати документов в операционных системах Macintosh необходимо устанавливать параметры печати в каждом используемом приложении. Для печати на компьютере Macintosh выполните следующие операции:



Примечание: Окно драйвера LaserWriter может различаться в зависимости от версии системы Macintosh, но имеющиеся функции одинаковы.

- 1 Откройте приложение Macintosh и выберите файл, который необходимо распечатать.
- 2 Откройте меню **File** и нажмите на кнопку **Page Setup** (в некоторых приложениях **Document Setup**).

- 3 Выберите размер бумаги, ориентацию, масштабирование и другие параметры и нажмите на кнопку **OK**.



▲ Mac OS 10.2.x

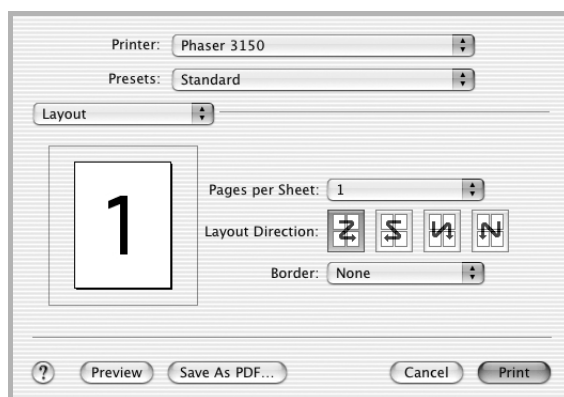
- 4 Откройте меню **File** и нажмите на кнопку **Print**.
- 5 Укажите число копий и выберите страницы, которые необходимо напечатать.
- 6 После завершения настройки нажмите на кнопку **Print**.

Использование дополнительных параметров печати

Печать нескольких страниц на одной стороне листа бумаги

Вы можете печатать более одной страницы на одном листе бумаги. Эта возможность предоставляет экономичный способ печати черновых страниц.

- 1 В приложении Macintosh выберите **Print** в меню **File**.
- 2 Выберите **Layout**.



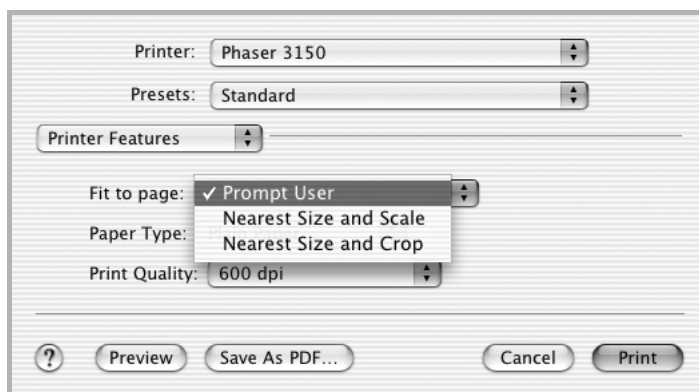
▲ Mac OS 10.2.x

- 3 Нажмите на кнопку **Print**, после чего принтер напечатает выбранное количество страниц на одной стороне каждого листа.

Печать документов на бумаге выбранного размера

Данная функция позволяет масштабировать задания на печать до любого заданного физического размера бумаги независимо от размера документа.

- 1 В приложении Macintosh выберите **Print** в меню **File**.
- 2 Выберите **Printer Features**. (Выберите **Advanced Options**, если Вы используете Mac OS 8.6 - 9.2.)
- 3 Выберите значение **Fit to Page** из раскрывающегося списка и нажмите на кнопку **Print**.



▲ Mac OS 10.2.x

- **Nearest Size and Scale:** Принтер автоматически выбирает размер бумаги, наиболее подходящий к размеру документа и уменьшает или увеличивает страницу для оптимального размещения на листе.
- **Nearest Size and Crop:** Принтер автоматически выбирает размер бумаги, наиболее подходящий к размеру документа и печатает страницу без масштабирования. Все выходящие за пределы страницы данные будут обрезаны для оптимального размещения страницы на листе.

Polski

Korzystanie ze sterownika PostScript

Aby skorzystać ze sterownika PostScript dostarczanego na płycie CD-ROM wraz z urządzeniem do drukowania dokumentów, należy zapoznać się z niniejszą instrukcją.

Niniejszy rozdział obejmuje:

- **Instalowanie modułu PostScript DIMM**
- **Korzystanie ze sterownika PostScript w systemie Windows**
- **Korzystanie ze sterownika PostScript w środowisku Macintosh**

*Emulacja PostScript 3



(c) Copyright 1998-2003 Zoran Corporation.
Wszelkie prawa zastrzeżone. Zoran, logo Zoran,
IPS/PS3 i OneImage są znakami towarowymi firmy
Zoran Corporation.

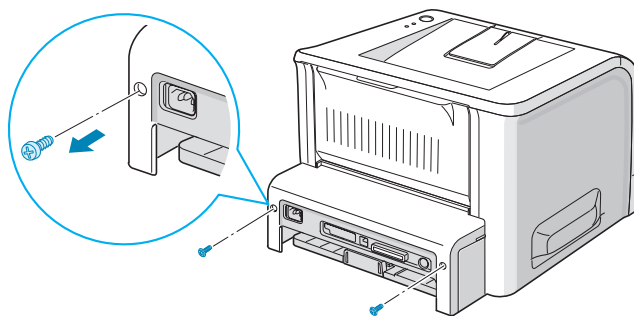
*136 czcionek PS3

Zawiera UFST® i MicroType™ firmy Agfa Monotype Corporation.

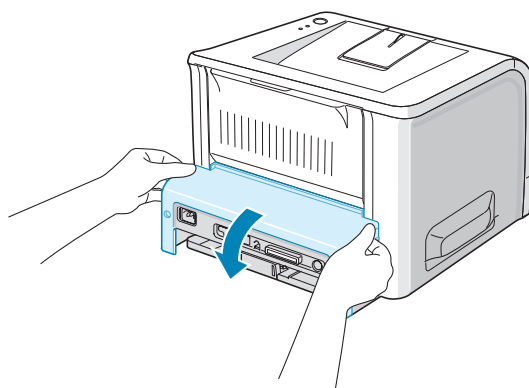
Instalowanie modułu PostScript DIMM

Aby korzystać ze sterownika PostScript, należy zainstalować opcjonalny moduł PostScript DIMM. Opcja PostScript będzie dostępna po zainstalowaniu modułu DIMM.

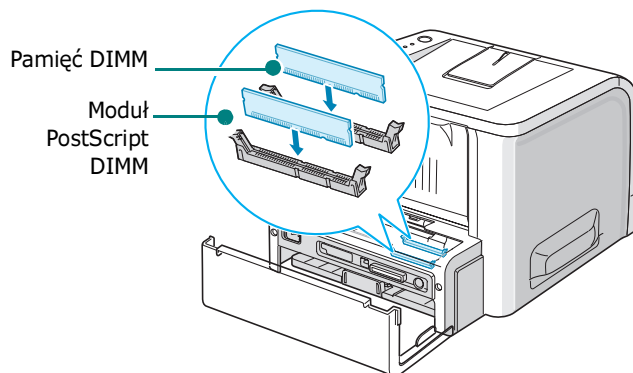
- 1 Wyłącz zasilanie drukarki i odłącz od niej przewody.
- 2 Odkręć dwie śruby z tyłu drukarki.



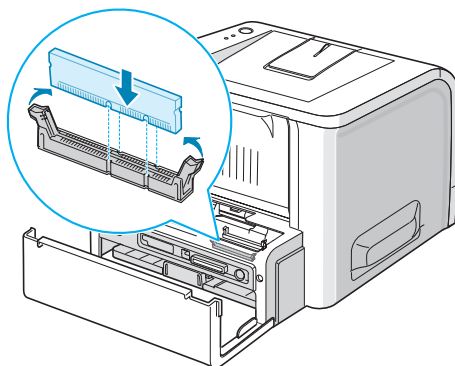
- 3 Otwórz pokrywę płyty kontrolnej.



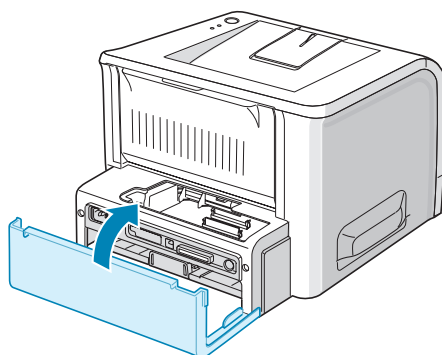
- 4** Na płycie kontrolnej znajdź gniazdo modułu PostScript DIMM, które znajduje się bliżej tylnej krawędzi, oraz gniazdo pamięci DIMM, które znajduje się bliżej obudowy drukarki. Nie są one zamienne.



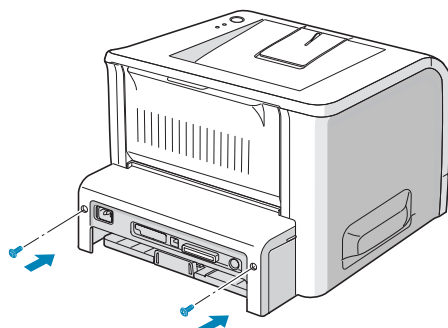
- 5** Ustaw moduł PostScript DIMM tak, aby wycięcia pasowały do występow w sposób pokazany na ilustracji, i wciśnij moduł PostScript DIMM prosto do gniazda DIMM, aż zaskoczy na swoje miejsce. Sprawdź, czy zatrzaski pasują do wycięć znajdujących się z boków modułu DIMM.



- 6** Zamknij pokrywę płyty kontrolnej.



7 Dokręć dwie śrubki.



8 Podłącz kabel zasilania i przewód drukarki, a następnie włącz drukarkę.



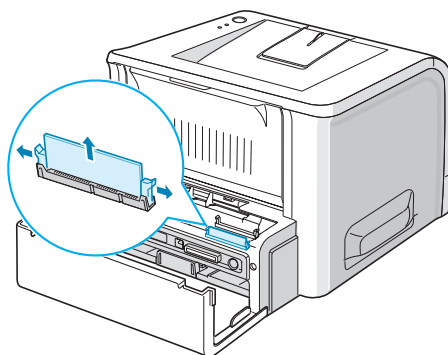
UWAGA: Jeżeli dla sterownika drukarki PostScript należy wykorzystać opcjonalny moduł pamięci DIMM, należy go wybrać we właściwościach drukarki po zainstalowaniu modułu pamięci DIMM.

W tym celu:

1. Kliknij menu **Start** systemu Windows.
2. W systemie Windows 98/Me/NT 4.0/2000 kliknij kolejno polecenia **Ustawienia** i **Drukarki**.
W systemie Windows XP wybierz opcję **Drukarki i faksy**.
3. Wybierz sterownik drukarki PostScript dla modelu 3150.
4. Kliknij prawym przyciskiem myszy ikonę drukarki i wybierz polecenie **Właściwości**.
5. W systemie Windows 98/Me wybierz kartę **Opcje urządzenia**.
W systemie Windows NT 4.0/2000/XP wybierz kartę **Ustawienia urządzenia**.
6. Wybierz całkowitą ilość zainstalowanej pamięci w pozycji **Opcje instalowalne**. Przykładowo, jeżeli został zainstalowany moduł pamięci DIMM o pojemności 32 MB, należy wybrać 64 MB (dodatkowa pamięć + 32 MB pamięci podstawowej) i kliknąć **OK**.
W systemie Windows 98 wybierz kolejno **Opcje instalowalne** → **Opcja VM** → **zmień ustawienia dla: Opcja VM** → Ustaw całkowitą ilość zainstalowanej pamięci.

Usuwanie modułu PostScript DIMM

- 1** Wykonaj czynności od 1 do 3, str. 2, aby uzyskać dostęp do płyty kontrolnej.
- 2** Odsuń zatrzaski na końcach gniazda od modułu DIMM.



- 3** Aby ochronić moduł DIMM, należy go umieścić w oryginalnym opakowaniu lub włożyć do torebki antystatycznej i przechowywać w pudełku.
- 4** Zamknij pokrywę płyty kontrolnej.
- 5** Dokręć dwie śrubki.
- 6** Podłącz kabel zasilania i przewód drukarki, a następnie włącz drukarkę.

Korzystanie ze sterownika PostScript w systemie Windows

Instalowanie sterownika PostScript



UWAGA: Poniższa procedura została oparta na systemie Windows XP. Czynności związane z instalacją sterownika PostScript mogą się różnić w zależności od wykorzystywanego systemu operacyjnego. Instalowanie sterownika PostScript.

- 1** Włóż płytę CD-ROM dostarczaną wraz z drukarką do napędu CD-ROM.
- 2** Kliknij menu **Start**.
- 3** W systemie Windows 98/Me/NT 4.0/2000 kliknij kolejno polecenia **Ustawienia** i **Drukarki**.
W systemie Windows XP wybierz opcję **Drukarki i faksy**.
- 4** W systemie Windows 98/Me/NT 4.0/2000 dwukrotnie kliknij opcję **Dodaj drukarkę**.
W systemie Windows XP kliknij opcję **Dodaj drukarkę**.
- 5** Zostanie otwarte okno kreatora dodawania drukarki. Kliknij **Dalej**.
- 6** Zaznacz opcję **Drukarka lokalna podłączona do tego komputera** i kliknij **Dalej**.
- 7** Zaznacz wykorzystywany port i kliknij **Dalej**.
- 8** Kliknij **Z dysku**, a następnie wybierz:
 - W systemie Windows 9x,
x:\P3150\Printer\AddPrinter\PS\POLISH
(lub żądany język) **\Win9x\ setup.inf**.
 - W systemie Windows NT 4.0,
x:\P3150\Printer\AddPrinter\PS\POLISH
(lub żądany język) **\Winnt\ setup.inf**.
 - W systemie Windows 2000,
x:\P3150\Printer\AddPrinter\PS\POLISH
(lub żądany język) **\Win2k\ setup.inf**.
 - W systemie Windows XP,
x:\P3150\Printer\AddPrinter\PS\POLISH
(lub żądany język) **\Winxp\ setup.inf**.(gdzie x oznacza literę napędu CD-ROM)
Następnie kliknij **OK**.

- 9** Gdy drukarka **Xerox Phaser 3150 PS** zostanie wyświetlona na liście drukarek, kliknij **Dalej**.
- 10** Podaj nazwę drukarki i kliknij **Dalej**.
- 11** Wybierz, czy drukarka ma zostać udostępniona w sieci, czy nie, i kliknij **Dalej**.
- 12** Jeżeli drukarka ma być udostępniana w sieci, należy opisać lokalizację i możliwości drukarki, a następnie kliknąć **Dalej**.
- 13** Gdy zostanie wyświetlony monit o wydrukowanie strony testowej, zaznacz pole **Tak** lub **Nie** i kliknij **Dalej**.
- 14** Po zakończeniu instalacji kliknij **Zakończ**.
- 15** Jeżeli w punkcie 13 zostało zaznaczone pole **Tak**, drukarka wydrukuje stronę testową. Jeżeli strona zostanie wydrukowana prawidłowo, kliknij **OK**.

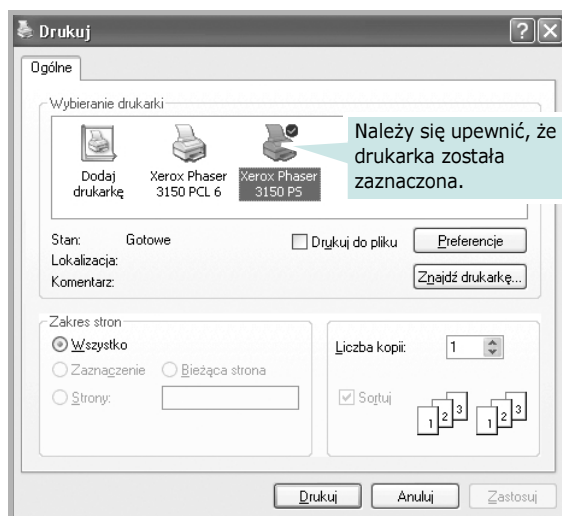
Jeżeli strona zostanie wydrukowana nieprawidłowo, kliknij opcję **Rozwiązywanie problemów**, aby rozwiązać problem z drukarką.

Drukowanie dokumentu

Poniższa procedura opisuje ogólne czynności wymagane podczas drukowania za pomocą sterownika PostScript. Dokładne czynności, które należy wykonać, aby wydrukować dokument, mogą zależeć od używanej aplikacji. Aby uzyskać informacje o dokładnej procedurze drukowania danej aplikacji, zobacz dołączony do niej Podręcznik użytkownika.

- 1** Otwórz dokument, który ma być wydrukowany.
- 2** Z menu **Plik** wybierz polecenie **Drukowanie**. Zostanie wyświetlone okno drukowania (może ono wyglądać różnie w zależności od aplikacji).

W oknie drukowania należy wybrać podstawowe ustawienia drukowania. Są to między innymi liczba kopii i zakres stron.



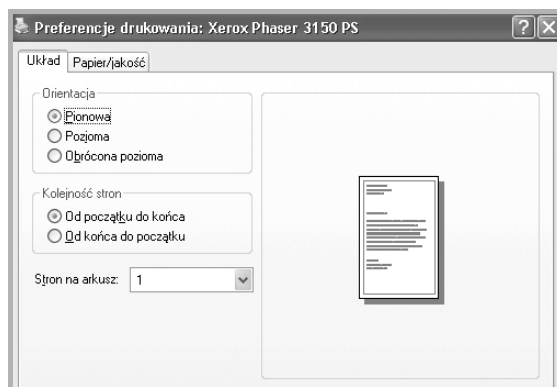
▲ Windows XP

- 3 Aby skorzystać z funkcji udostępnianych przez drukarkę, kliknij przycisk **Preferencje** w oknie drukowania aplikacji i przejdź do punktu 4.

Jeżeli w oknie są wyświetlane opcje **Konfiguracja**, **Drukarka** lub **Opcje**, należy zamiennie kliknąć ten przycisk. W następnym oknie kliknij przycisk **Preferencje**.

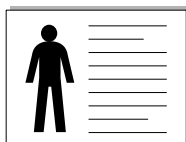
- 4 W oknie preferencji drukarki Xerox Phaser 3150 PS można uzyskać dostęp do wszystkich informacji niezbędnych podczas korzystania z drukarki.

Najpierw jest wyświetlana karta **Układ**.

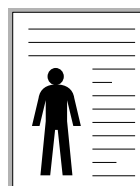


Dzięki opcji **Orientacja** można wybrać kierunek, w którym informacje są drukowane na stronie.

- Opcja **Pionowa** powoduje wydruk wzdłuż szerokości strony (tak, jak w liście).
- Opcja **Pozioma** powoduje wydruk wzdłuż długości strony (tak, jak w arkuszu kalkulacyjnym).
- Opcja **Obrócona pozioma** powoduje odwrócenie strony do góry nogami.



▲ Pozioma



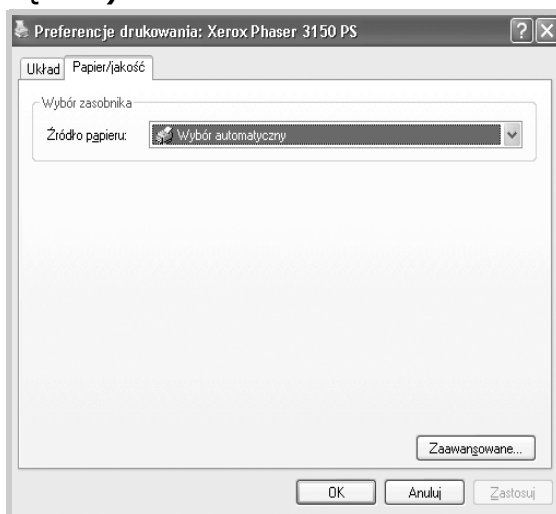
▲ Pionowa

Opcja **Kolejność stron** umożliwia wybranie kolejności drukowania stron.

- **Od początku do końca** powoduje drukowanie w prawidłowej kolejności.
- **Od końca do początku** powoduje drukowanie w odwrotnej kolejności.

Opcja **Stron na arkusz** umożliwia wybranie liczby stron do wydrukowania na jednym arkuszu papieru. Można wybrać 1, 2, 4, 6, 9 lub 16.

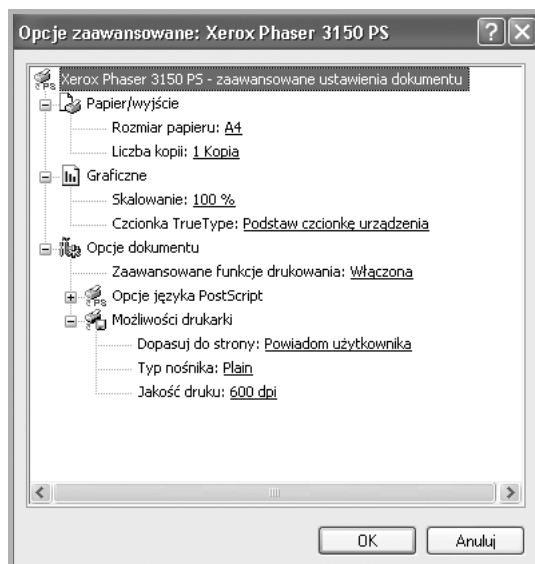
- 5** Kliknij kartę **Papier/jakość**, aby wybrać źródło papieru z listy rozwijanej opcji **Źródło papieru**. Źródło papieru wykorzystywane przez sterownik PostScript należy wybrać spośród następujących opcji **Zasobnik 1**, **Zasobnik 2**, **Zasobnik 3** i **Zasobnik 1 (Podawanie ręczne)**.



UWAGA: Można kliknąć **?** w górnym prawym rogu, a następnie kliknąć dowolne ustawienie. Na ekranie pomocy zostały podane szczegółowe informacje o funkcjach drukarki udostępnianych przez sterownik drukarki.

Zaawansowane funkcje drukowania

Kliknij przycisk **Zaawansowane** w oknie preferencji drukarki Xerox Phaser 3150 PS, aby skorzystać z zaawansowanych opcji.



- Opcja **Papier/wyjście** umożliwia wybranie rozmiaru papieru oraz liczby drukowanych kopii.
- Opcja **Graficzne** umożliwia zmianę skali drukowanego zadania w celu dopasowania go do strony oraz określenie sposobu zobrazowania tekstu w dokumencie.
- Opcja **Opcje dokumentu** umożliwia włączanie lub wyłączanie zaawansowanych funkcji drukowania.
- Opcja **Opcje języka PostScript** umożliwia skorzystanie z kilku opcji PostScript.
- Opcja **Możliwości drukarki** umożliwia wybranie rodzaju papieru włożonego do drukarki, rozdzielczości drukowania oraz zmianę skali zadania drukowania, aby dopasować je do dowolnego wybranego rozmiaru papieru.

Korzystanie ze sterownika PostScript w środowisku Macintosh

Instalowanie PPD dla sterownika PostScript

Płyta CD-ROM dostarczana wraz z drukarką zawiera plik PPD umożliwiający korzystanie ze sterownika PostScript, sterownika Apple LaserWriter podczas drukowania za pomocą komputera Macintosh.

Przed instalacją oprogramowania należy się upewnić, że są spełnione wymagania:

Element	Wymagania	
System operacyjny	Mac OS 8.6 - 9.2/10.1 - 10.3	
Pamięć RAM	Mac OS 8.6 - 9.2	64 MB
	Mac OS 10.1 - 10.3	128 MB
Wolne miejsce na dysku	200 MB	

- 1 Włącz komputer i drukarkę.
- 2 Włóż płytę CD-ROM dostarczaną wraz z drukarką do napędu CD-ROM komputera.
- 3 Dwukrotnie kliknij ikonę **P3150** na pulpicie komputera Macintosh.
- 4 Dwukrotnie kliknij folder **Installer**.
- 5 Dwukrotnie kliknij ikonę Installer w zależności od wersji systemu operacyjnego.
 - **Xerox Phaser 3150 Classic:** Mac OS 8.6 - 9.2
 - **Xerox Phaser 3150 OSX:** Mac 10.1 - 10.3
- 6 Kliknij przycisk **Continue**.
- 7 Kliknij przycisk **Install**.
- 8 Po zakończeniu instalacji, kliknij przycisk **Quit**.

Konfigurowanie drukarki

Sposób konfigurowania drukarki różni się w zależności od rodzaju przewodu wykorzystywanego do połączenia drukarki z komputerem: czy jest to przewód sieciowy, czy przewód USB.

Dla komputera Macintosh podłączonego do sieci

W systemie Mac OS 8.6 - 9.2

- 1 Wykonaj czynności podane na str. 11, aby zainstalować plik PPD na komputerze.
- 2 W menu **Apple** wybierz polecenie **Chooser**.
- 3 Kliknij opcję **LaserWriter 8** (sterownik PostScript dostarczany wraz z komputerem Macintosh).
Nazwa drukarki pojawia się na liście.
- 4 W polu drukarki wybierz opcję **XRX000xxxxxxxx** (gdzie xxxxxxxx różni się w zależności od drukarki) i kliknij przycisk **Select**.
Jeżeli funkcja automatycznej konfiguracji nie działa prawidłowo, kliknij opcję **Select PPD**, wybierz **Xerox Phaser 3150** i kliknij **OK**.
- 5 Po zakończeniu konfiguracji na pulpicie zostanie utworzona ikona drukarki.
- 6 Zakończ polecenie **Chooser**.
- 7 Po wyświetleniu okna informującego o zmianie bieżącej drukarki, kliknij **OK**.

W systemie Mac OS 10.1 - 10.3

- 1 Wykonaj czynności podane na str. 11, aby zainstalować plik PPD na komputerze.
- 2 Otwórz opcję **Print Center** w folderze Utilities.
- 3 Kliknij przycisk **Add** na liście drukarek.
- 4 Wybierz kartę **AppleTalk**.
Nazwa drukarki zostanie wyświetlona na liście. W polu drukarki wybierz opcję **XRX000xxxxxxxx**, gdzie xxxxxxxx różni się w zależności od drukarki.

- 5 Kliknij przycisk **Add**.
- 6 Jeżeli funkcja automatycznej konfiguracji nie działa prawidłowo, wybierz opcję **Xerox** jako model drukarki i **Xerox Phaser 3150** jako nazwę modelu.
Drukarka zostanie wyświetlona na liście drukarek i ustawiona jako drukarka domyślna.

Dla komputera Macintosh podłączonego przez USB

W systemie Mac OS 8.6 - 9.2



UWAGA: Lokalizacja programu użytkowego drukarki może się różnić w zależności od systemu operacyjnego komputera Macintosh.

- 1 Wykonaj czynności podane na str. 11, aby zainstalować plik PPD na komputerze.
- 2 W oknie **Macintosh** dwukrotnie kliknij opcję **Application**.
- 3 Dwukrotnie kliknij opcję **Utilities**.
- 4 Dwukrotnie kliknij opcję **Desktop Printer Utility**.
- 5 Wybierz opcję **LaserWriter 8** i w polu listy zaznacz opcję **Printer (USB)**. Następnie kliknij **OK**.
- 6 Kliknij polecenie **Change** w sekcji wyboru drukarki USB. Nazwa drukarki pojawia się na liście.
- 7 Kliknij **Phaser 3150**, a następnie kliknij **OK**.
- 8 Kliknij **Auto Setup** w sekcji pliku opisu drukarki PostScript (PPD).
Jeżeli funkcja automatycznej konfiguracji nie działa prawidłowo, kliknij opcję **Select PPD** i zaznacz **Xerox Phaser 3150**.
- 9 Po zakończeniu konfiguracji kliknij przycisk **Create**.
- 10 Kliknij polecenie **Save**.
- 11 Wypełnij pole **Printer Name** i kliknij **OK**.

W systemie Mac OS 10.1 - 10.3

- 1 Wykonaj czynności podane na str. 11, aby zainstalować plik PPD na komputerze.
- 2 Otwórz opcję **Print Center** w folderze Utilities.
- 3 Na liście drukarek kliknij przycisk **Add**.
- 4 Wybierz kartę **USB**.
- 5 Wybierz **Phaser 3150** i kliknij przycisk **Add**.
- 6 Jeżeli funkcja automatycznej konfiguracji nie działa prawidłowo, wybierz opcję **Xerox** jako model drukarki i **Xerox Phaser 3150** jako nazwę modelu.

Drukarka zostanie wyświetlona na liście drukarek i ustawiona jako drukarka domyślna.

Drukowanie dokumentu

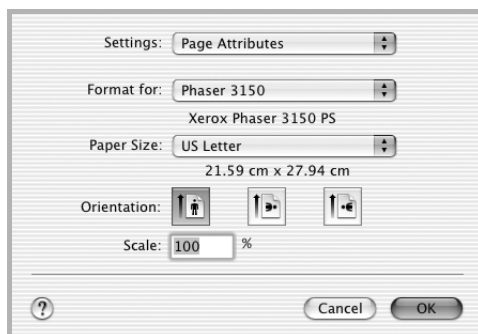
Przy drukowaniu z komputera Macintosh należy sprawdzić ustawienia drukarki w każdej aplikacji. Aby drukować z komputera Macintosh:



UWAGA: Okno sterownika LaserWriter może się różnić w zależności od wersji systemu Macintosh, ale dostępne funkcje są takie same.

- 1 Otwórz aplikację systemu Macintosh i wybierz plik do drukowania.
- 2 Otwórz menu **File** i kliknij **Page Setup** (w niektórych aplikacjach polecenie to nosi nazwę **Document Setup**).

- 3 Wybierz opcję rozmiaru papieru, orientację, skalowanie i inne, a następnie kliknij **OK**.



▲ Mac OS 10.2.x

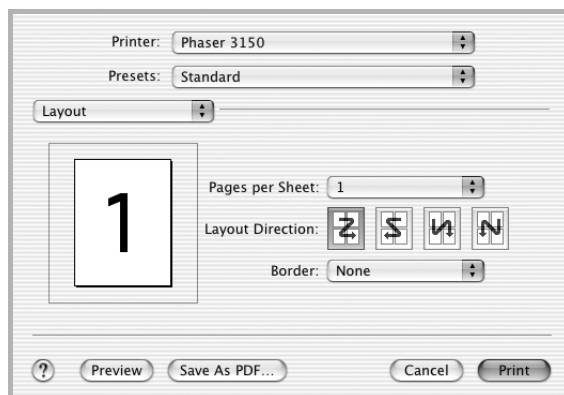
- 4 Otwórz menu **File** i kliknij przycisk **Print**.
- 5 Wybierz żądaną liczbę kopii i zaznacz, które strony mają zostać wydrukowane.
- 6 Kliknij **Print** po wybraniu opcji.

Zaawansowane funkcje drukowania

Drukowanie wielu stron na jednym arkuszu papieru

Na jednym arkuszu papieru można wydrukować więcej niż jedną stronę. Opcja ta udostępnia tani sposób drukowania wersji roboczych.

- 1 Z aplikacji komputera Macintosh wybierz opcję **Print** z menu **File**.
- 2 Wybierz opcję **Layout**.



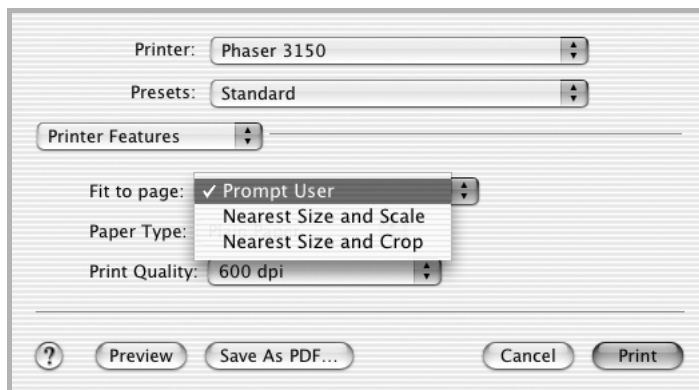
▲ Mac OS 10.2.x

- 3 Kliknij przycisk **Print**, po czym drukarka wydrukuje wybraną liczbę stron na jednej stronie każdej kartki.

Drukowanie dokumentu na wybranym rozmiarze papieru

Ta funkcja umożliwia przeskalowanie zadania drukowania w celu dostosowania go do dowolnego fizycznego rozmiaru papieru bez względu na rozmiar dokumentu.

- 1 Z aplikacji komputera Macintosh wybierz opcję **Print** z menu **File**.
- 2 Wybierz opcję **Printer Features**. (Wybierz opcję **Advanced Options** w przypadku korzystania z systemu Mac OS 8.6 - 9.2.)
- 3 Zaznacz odpowiednią opcję na liście rozwijanej **Fit to Page** i kliknij przycisk **Print**.



▲ Mac OS 10.2.x

- **Nearest Size and Scale:** Drukarka automatycznie wybierze papier najbardziej zbliżony do rozmiaru dokumentu i zmniejszy lub powiększy rozmiar strony, aby pasowała ona do rozmiaru papieru.
- **Nearest Size and Crop:** Drukarka automatycznie wybierze papier najbardziej zbliżony do rozmiaru dokumentu i wydrukuje stronę bez zmiany jej rozmiaru. Wszelkie nadmiarowe dane zostaną obcięte, aby strona była dopasowana do papieru.

Magyar

PostScript illesztőprogram használata

Ebben a kézikönyvben talál tájékoztatást, ha a rendszerhez kapott CD-ROM mellékleten lévő PostScript illesztőprogramot kívánja használni a dokumentumok nyomtatásához.

A fejezet tartalma:

- **PostScript DIMM modul telepítése**
- **PostScript illesztőprogram használata Windows alatt**
- **PostScript illesztőprogram használata Macintosh alatt**

*PostScript 3 emuláció



(c) Copyright 1998-2003 Zoran Corporation.
Minden jog fenntartva. Zoran, a Zoran logo,
IPS/PS3 és OneImage a Zoran Corporation
védjegyei.

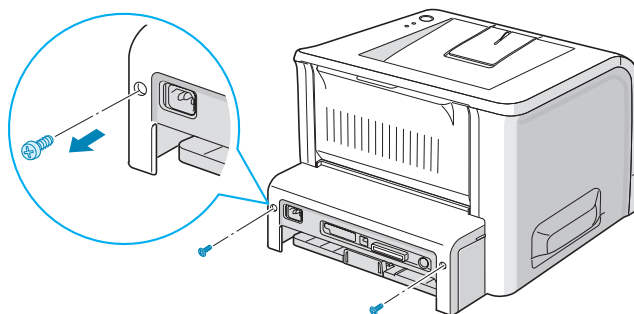
*136 PS3 betűtípusok

Az Agfa Monotype Corporation UFST® és MicroType™ betűtípusait tartalmazza.

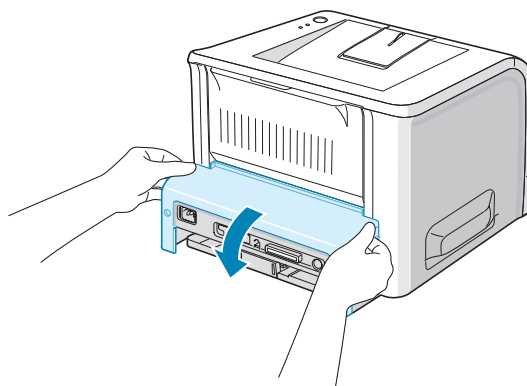
PostScript DIMM modul telepítése

A PostScript illesztőprogram használatához fel kell telepítenie egy opcionális PostScript DIMM komponenst. A PostScript opció akkor érhető el, ha telepítve van egy DIMM (Dual In-line Memory Module) komponens.

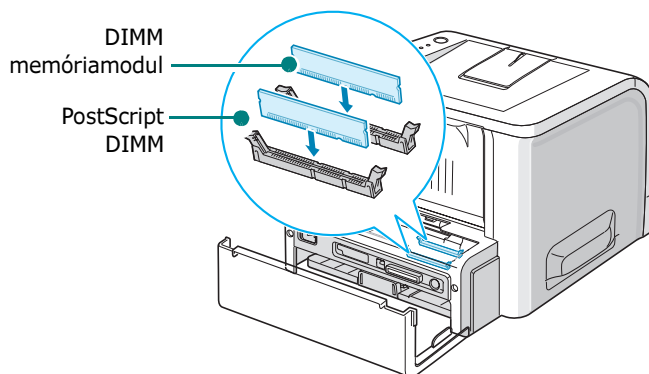
- 1 Kapcsolja ki a nyomtatót, és húzzon ki abból minden kábelt.
- 2 Csavarja ki a nyomtató hátulján található két csavart.



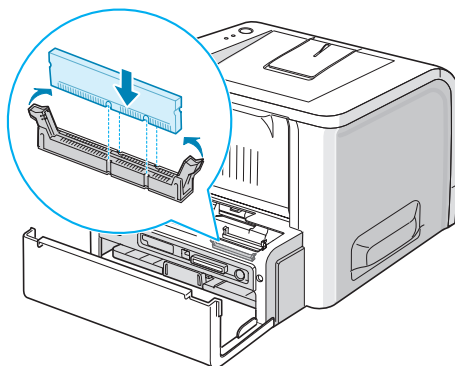
- 3 Nyissa ki a kezelőpult fedelét.



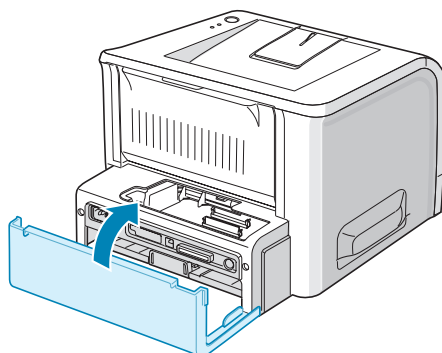
- 4** Keresse meg a kezelőpulton azt a PostScript DIMM csatlakozót, amelyik közelebb esik a készülék hátsó éléhez, és azt a memória DIMM csatlakozót, amelyik közelebb van a nyomtatóhoz. Nem egyformák és nem cserélhetők fel.



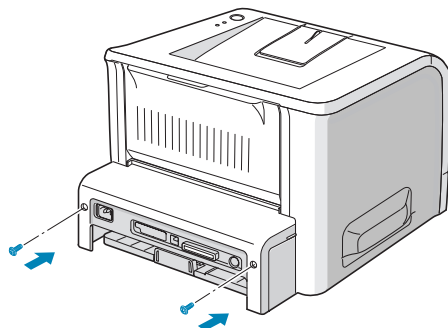
- 5** A PostScript DIMM modult tartsa úgy, hogy a vájatok egyvonalba essenek, ahogy az ábra mutatja, majd tolja be a PostScript DIMM modult egyenesen a DIMM csatlakozóba úgy, hogy az a helyére pattanjon. Ügyeljen arra, hogy a DIMM modul két oldalán elhelyezkedő fülek illeszkedjenek a bevágásokra.



- 6** Zárja vissza a kezelőpult fedelét.



7 Vegye ki a két csavart.



8 Csatlakoztassa ismét a hálózati vezetékét és nyomtatókábelt, majd kapcsolja be a nyomtatót.



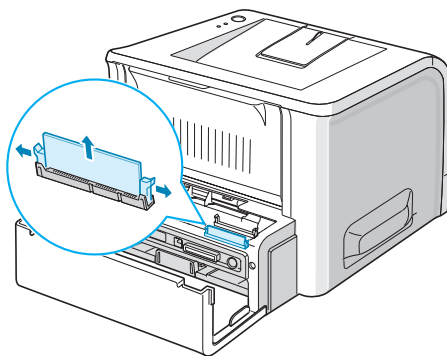
MEGJEGYZÉS: Ha opcionális memória DIMM modult kíván használni a PostScript nyomtató illesztőprogrammal, ki kell választania ezt a nyomtató tulajdonságok között a memória DIMM modul telepítését követően.

Ehhez a következőket kell tennie:

1. Kattintson a Windows **Start** menüre.
2. Windows 98/Me/NT 4.0/2000 esetén válassza a **Beállítások**, majd a **Nyomtatók** menüpontot.
Windows XP esetén válassza a **Nyomtatók és faxok** menüpontot.
3. Válassza ki a PostScript nyomtató illesztőprogramot a 3150-es nyomtatóhoz.
4. Kattintson a jobb egérgombbal a nyomtató ikonjára, majd válassza a **Tulajdonságok** opciót.
5. Windows 98/Me esetén válassza ki az **Eszközbeállítások** fület.
Windows NT 4.0/2000/XP esetén válassza ki az **Eszközbeállítások** fület.
6. Válassza ki a teljes telepített memóriaméretet a **Telepíthető opció** alatt. Ha például 32 MB memória DIMM modult telepített, válassza a 64 MB (kiegészítő memória + 32 MB alapmemória) méretet és kattintson az **OK** gombra.
Windows 98 esetén válassza a **Telepíthető opció** → **VM opció** → **beállítás módosítása:VM opció** → Válassza ki a teljes telepített memóriaméretet.

A PostScript DIMM modul eltávolítása

- 1** Kövesse az 1-3. lépéseket (2 oldal), hogy hozzáférjen a vezérlőkártyához.
- 2** A csatlakozónylás mindkét végén csatolja le a füleket a DIMM modulról.



- 3** A DIMM modul védelme érdekében, tegye azt az eredeti csomagolásába vagy helyezze antisztatikus zacskóba és tárolja dobozban.
- 4** Zárja vissza a kezelőpult fedelét.
- 5** Vegye ki a két csavart.
- 6** Csatlakoztassa ismét a hálózati vezetéket és nyomtatókábel, majd kapcsolja be a nyomtatót.

PostScript illesztőprogram használata Windows alatt

PostScript illesztőprogram telepítése



MEGJEGYZÉS: A következő eljárás Windows XP-re vonatkozik. A PostScript illesztőprogram telepítésének lépései az Ön által használt operációs rendszertől függően ettől eltérőek lehetnek.

- 1 Helyezze be a nyomtatóval kapott CD-ROM-ot a CD-ROM meghajtóba.
- 2 Kattintson a **Start** menüre.
- 3 Windows 98/Me/NT 4.0/2000 esetén válassza a **Beállítások**, majd a **Nyomtatók** menüpontot.
Windows XP esetén válassza a **Nyomtatók és faxok** menüpontot.
- 4 Windows 98/Me/NT 4.0/2000 esetén kattintson kétszer a **Nyomtató hozzáadása** menüpontra.
Windows XP esetén kattintson a **Nyomtató hozzáadása** menüpontra.
- 5 Ekkor megjelenik a Nyomtató hozzáadása varázsló. Kattintson a **Tovább** gombra.
- 6 Válassza ki a számítógéphez csatlakoztatott **Helyi nyomtatót**, majd kattintson a **Tovább** gombra.
- 7 Válassza ki a használni kívánt portot és kattintson a **Tovább** gombra.
- 8 Kattintson a **Saját lemez** opcióra, majd válassza:
 - Windows 9x esetén:
x:\P3150\Printer\AddPrinter\PS\HUNGARIAN
(vagy a választott nyelv) **\Win9x\ setup.inf.**
 - Windows NT 4.0 esetén: **x:\P3150\Printer\AddPrinter\PS\HUNGARIAN** (vagy a választott nyelv) **\Winnt\ setup.inf.**
 - Windows 2000 esetén: **x:\P3150\Printer\AddPrinter\PS\HUNGARIAN** (vagy a választott nyelv) **\Win2k\ setup.inf.**
 - Windows XP esetén: **x:\P3150\Printer\AddPrinter\PS\HUNGARIAN** (vagy a választott nyelv) **\Winxp\ setup.inf.**(ahol x a CD-ROM meghajtó választott betűje)
Ezután kattintson az **OK** gombra.

- 9 Amikor a **Xerox Phaser 3150 PS** megjelenik a Nyomtató listában kattintson a **Tovább** gombra.
- 10 Írja be a nyomtató nevét és kattintson a **Tovább** gombra.
- 11 Válassza ki, hogy meg kívánja-e osztani a nyomtatót hálózaton keresztül vagy sem, és kattintson a **Tovább** gombra.
- 12 Ha meg akarja osztani a nyomtatót hálózaton keresztül, adja meg a nyomtató elérési útvonalát és jellemzőit, majd kattintson a **Tovább** gombra.
- 13 Amikor megjelenik az a képernyő, hogy kíván-e tesztoldalt nyomtatni, válassza az **Igen** vagy **Nem** lehetőséget, majd kattintson a **Tovább** gombra.
- 14 A telepítés befejeztével kattintson a **Befejezés** gombra.
- 15 Ha a 13. lépésben azt választja, hogy **Igen**, a nyomtató kinyomtat egy tesztoldalt. Amikor a nyomtató megfelelően kinyomtatta az oldalt, kattintson az **OK** gombra.

Ha a nyomtató nem megfelelően nyomtatta ki az oldalt, kattintson a **Hibaelhárítás** gombra a nyomtató hibájának megoldásához.

Dokumentum nyomtatása

A következő eljárás a PostScript illesztőprogram használatával történő nyomtatáshoz szükséges általános lépéseket írja le. A dokumentumok nyomtatásának pontos módja alkalmazásonként eltérő. A pontos nyomtatási eljárással kapcsolatban lásd az adott szoftver alkalmazás felhasználói kézikönyvét.

- 1 Nyissa meg a nyomtatni kívánt dokumentumot.
- 2 Válassza ki a **Nyomtatás** menüpontot a **Fájl** menüből. A Nyomtatás ablak jelenik meg. (Az alkalmazástól függően egy kicsit eltérően nézhet ki.)

A Nyomtatás párbeszédpanelen lehet kijelölni az alapvető nyomtatási beállításokat. Ide tartozik a példányszám és a nyomtatási tartomány megadása.



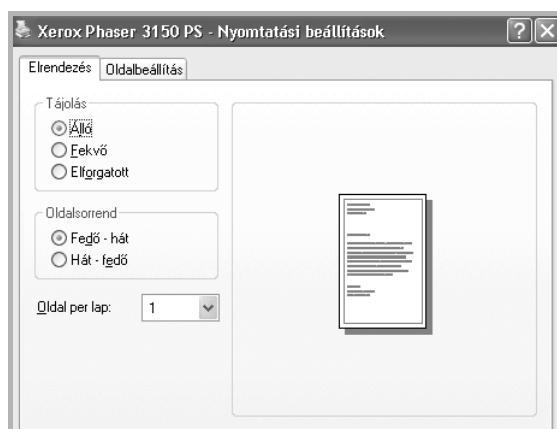
▲ Windows XP

- 3 A nyomtató nyomtatási szolgáltatásainak igénybevételéhez kattintson a **Beállítások** gombra az alkalmazás Nyomtatás párbeszédpanelén, és ugorjon a 4. lépésre.

Ha a párbeszédpanelen **Nyomtató** vagy **Opciók** látható, erre a gombra kattintson inkább. Ezután kattintson a **Beállítások** gombra a következő képernyőn.

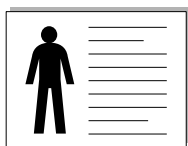
- 4 A Xerox Phaser 3150 PS Tulajdonságok párbeszédablakban minden információt megtalál, ami a nyomtató használatához szükséges.

Az **Elrendezés** fül jelenik meg először.

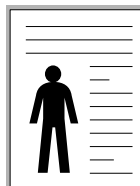


A **Tájolás** opció teszi lehetővé annak kiválasztását, hogy a lapon milyen irányban jelenjen meg az információ.

- Az **Álló** opció álló helyzetben, levél stílusban nyomtatja ki az oldalt.
- A **Fekvő** opció fekvő helyzetben, táblázat stílusban nyomtatja ki az oldalt.
- Az **Elforgatott** opció megfordítja az oldalt fejjel lefelé.



▲ Fekvő



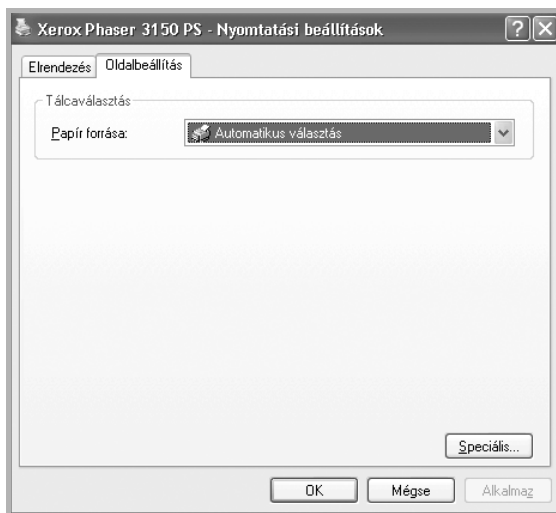
▲ Álló

Az **Oldalsorrend** opcióval kiválaszthatja, hogy milyen sorrendben kerüljenek kinyomtatásra az oldalak.

- Az **Fedő - hát** opció rendes sorrendben nyomtatja az oldalakat.
- A **Hát - fedő** opció fordított sorrendben nyomtatja ki az oldalakat.

Az **Oldal per lap** opcióval kiválaszthatja az egy papírlapra kinyomtatott oldalak számát. 1, 2, 4, 6, 9, és 16 közül választhat.

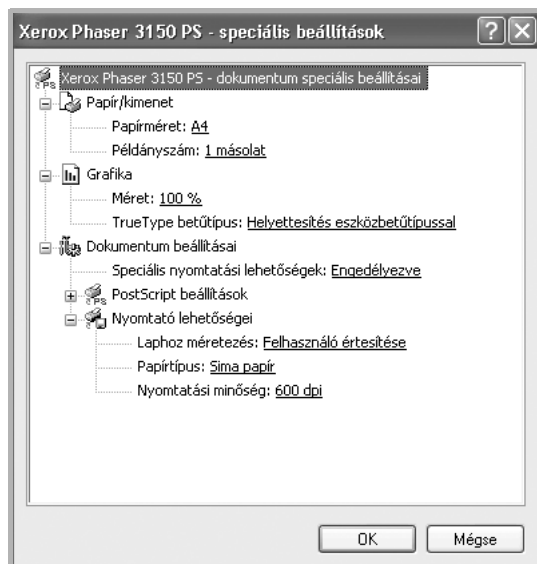
- 5** Kattintson a **Oldalbeállítás** fülre a papírforrás kiválasztásához a **Papír forrása** legördülő listából. Válassza ki, hogy milyen papírforrást fog használni a PostScript illesztőprogrammal az **1. tálcából**, a **2. tálcából**, a **3. tálcából** és az **1. (kézi) tálcából**.



MEGJEGYZÉS: Rövid segítség megjelenítéséhez kattintson a **?** jelre a jobb felső sarokban, majd kattintson az Önt érdeklő beállításra. A súgóképernyő részletes információkat ad a nyomtató illesztőprogram által nyújtott szolgáltatásokkal kapcsolatban.

Fejlett nyomtatási szolgáltatások használata

A speciális beállítások használatához kattintson a **Speciális** gombra a Xerox Phaser 3150 PS Tulajdonságok párbeszédpanelen.



- A **Papír/kimenet** opcióval kiválaszthatja a papírméretet és a kinyomtatni kívánt példányszámot.
- A **Grafika** opcióval méretezheti a nyomtatási feladatot az oldalon és megadhatja, hogyan jelenjenek meg a szövegek a dokumentumban.
- A **Dokumentum beállításai** opcióval engedélyezheti vagy letilthatja a speciális nyomtatási jellemzőket.
- A **PostScript beállítások** opcióval több PostScript beállítás használatára is lehetősége van.
- A **Nyomtató lehetőségei** opcióval kiválaszthatja a nyomtatóba betöltött papír típusát, a nyomtatási felbontást, és tetszőlegesen kiválasztott papírméretre méretezheti a nyomtatási feladatot.

PostScript illesztőprogram használata Macintosh alatt

PPD telepítése PostScript illesztőprogramhoz

A nyomtatóhoz kapott CD-ROM-on megtalálható a PPD fájl, ami a PostScript illesztőprogram és az Apple LaserWriter illesztőprogram használatához szükséges, amikor Macintosh számítógépről nyomtat.

A nyomtató szoftver telepítése előtt ellenőrizze az alábbiakat:

Tulajdonság	Követelmények	
Operációs rendszer	Mac OS 8.6 - 9.2/10.1 - 10.3	
RAM	Mac OS 8.6 - 9.2	64 MB
	Mac OS 10.1 - 10.3	128 MB
Szabad lemezterület	200 MB	

- 1 Kapcsolja be a számítógépet és a nyomtatót.
- 2 Helyezze be a nyomtatóval kapott CD-ROM-ot a számítógép CD-ROM meghajtójába.
- 3 Kattintson kétszer a **P3150** nyomtatóra a Macintosh asztalon.
- 4 Kattintson kétszer a **Installer** mappára.
- 5 Kattintson kétszer a Telepítő ikonra, a rendszer OS verziótól függően.
 - **Xerox Phaser 3150 Classic:** Mac OS 8.6 - 9.2
 - **Xerox Phaser 3150 OSX:** Mac 10.1 - 10.3
- 6 Kattintson a **Continue** gombra.
- 7 Kattintson a **Install** gombra.
- 8 A telepítés befejezése után kattintson a **Quit** gombra.

A nyomtató üzembe helyezése

A nyomtató üzembe helyezésének módja eltérő, attól függően, hogy milyen kábelt használ a nyomtató és a számítógép csatlakoztatására: a hálózati kábelt, vagy USB kábelt.

Hálózati kábellel Macintosh géphez történő csatlakoztatás esetén

Mac OS 8.6 - 9.2 esetén

- 1** Kövesse a 11 oldal utasításait a PPD fájl telepítéséhez.
- 2** Az **Apple** menüből válassza ki az **Chooser** menüpontot.
- 3** Kattintson a **LaserWriter 8** (a Macintosh rendszerhez kapott PostScript illesztőprogram) ikonra.
A nyomtató neve megjelenik a listában.
- 4** Válassza az **XRX000xxxxxxxx** opciót a nyomtató listából (ahol xxxxxxxxxx a nyomtatótól függően változik) és kattintson a **Select** gombra.
Ha az automatikus telepítő nem működik megfelelően, kattintson a **Select PPD** gombra, válassza a **Xerox Phaser 3150** nyomtatót és kattintson az **OK** gombra.
- 5** Amikor a telepítés befejeződött, megjelenik egy nyomtató ikon az asztalon.
- 6** Zárja be a **Chooser** párbeszédpanelt.
- 7** Amikor megjelenik az üzenetablak, hogy megváltozott az aktuális nyomtató, kattintson az **OK** gombra.

Mac OS 10.1 - 10.3 esetén

- 1** Kövesse a 11 oldal. utasításait a PPD fájl telepítéséhez.
- 2** Nyissa meg a **Print Center** képernyőt a Kellékek mappából.
- 3** Kattintson a **Add** gombra a Nyomtató listában.
- 4** Válassza ki az **AppleTalk** fület.
A nyomtató neve megjelenik a listában. Válassza az **XRX000xxxxxxxx** nyomtatót a nyomtató listából, ahol xxxxxxxxxx a nyomtatótól függően változik.

- 5 Kattintson a **Add** gombra.
- 6 Ha az automatikus kiválasztás nem működik megfelelően, válassza a **Xerox** sort a Nyomtató modellek közül és a **Xerox Phaser 3150** sort a modellnév alatt.
A nyomtató megjelenik a Nyomtató listában és beállításra kerül alapértelmezett nyomtatóként.

USB kábellel Macintosh géphez történő csatlakoztatás esetén

Mac OS 8.6 - 9.2 esetén



MEGJEGYZÉS: Az asztali nyomtató segédprogram elhelyezkedése a Macintosh operációs rendszertől függően eltérő lehet.

- 1 Kövesse a 11 oldal utasításait a PPD fájl telepítéséhez.
- 2 A **Macintosh** asztalon kattintson kétszer az **Application** parancsra.
- 3 Kattintson kétszer a **Utilities** menüre.
- 4 Kattintson kétszer az **Desktop Printer Utility** parancsra.
- 5 Válassza a **LaserWriter 8** opciót, majd a **Printer (USB)** opciót a listában. Ezután kattintson az **OK** gombra.
- 6 Kattintson a **Change** gombra az USB Nyomtató kiválasztása területen. A nyomtató neve megjelenik a listában.
- 7 Kattintson a **Phaser 3150** nyomtatóra, majd az **OK** gombra.
- 8 Kattintson az **Auto Setup** parancsra a PostScript nyomtató leíró (PPD) fájl területen.
Ha az automatikus telepítő nem működik megfelelően, kattintson a **Select PPD** gombra, és válassza a **Xerox Phaser 3150** nyomtatót.
- 9 A telepítés befejezésekor kattintson a **Create** gombra.
- 10 Kattintson a **Save** gombra.
- 11 Töltse ki a **Printer Name** mezőt, majd kattintson az **OK** gombra.

Mac OS 10.1 - 10.3 esetén

- 1 Kövesse a 11 oldal utasításait a PPD fájl telepítéséhez.
- 2 Nyissa meg a **Print Center** képernyőt a Kellékek mappából.
- 3 Kattintson a **Add** gombra a Nyomtató listában.
- 4 Válassza ki az **USB** fület.
- 5 Válassza ki a **Phaser 3150** nyomtatót, majd kattintson a **Add** gombra.
- 6 Ha az automatikus kiválasztás nem működik megfelelően, válassza a **Xerox** sort a Nyomtató modellek közül és a **Xerox Phaser 3150** sort a Modellnév alatt.

A nyomtató megjelenik a Nyomtató listában és beállításra kerül alapértelmezett nyomtatóként.

Dokumentum nyomtatása

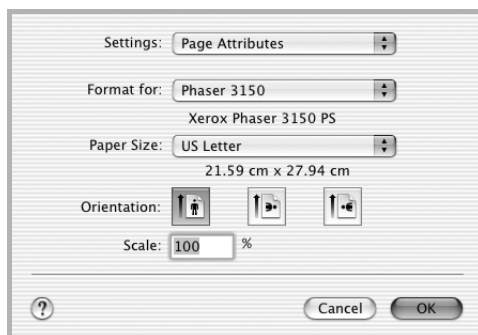
Macintosh számítógépről történő nyomtatás esetén minden alkalmazásban ellenőrizni kell a nyomtatószoftver beállításait. Macintosh számítógépen történő nyomtatáshoz kövesse az alábbi lépéseket:



MEGJEGYZÉS: A LaserWriter illesztőprogram párbeszédpanele eltérő lehet az Ön által használt Macintosh rendszer verziójától függően, de az elérhető jellemzők ugyanazok.

- 1 Nyisson meg egy Macintosh alkalmazást, és válassza ki a nyomtatandó fájlt.
- 2 Nyissa meg a **File** menüt, majd kattintson az **Page Setup** (egyres alkalmazásokban **Document Setup**) menüpontra.

- 3 Válassza ki a papírméretet, tájolást, méretezést és egyéb opciókat, majd kattintson az **OK** gombra.



▲ Mac OS 10.2.x

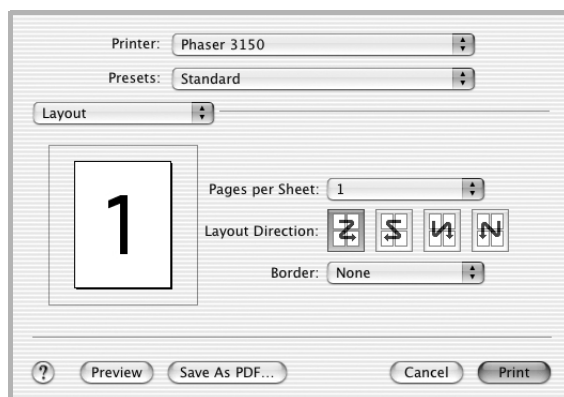
- 4 Nyissa meg a **File** menüt, majd kattintson a **Print** menüpontra.
- 5 Válassza ki a nyomtatás példányszámát, és adja meg, hogy mely oldalakat kívánja kinyomtatni.
- 6 Kattintson a **Print** gombra miután elvégezte a beállításokat.

Speciális nyomtatási szolgáltatások használata

Több oldal nyomtatása egy lapra

Több oldalt is nyomtathat egy papírlapra. Ezzel a jellemzővel költséghatékony módon lehet vázlatoldalakat nyomtatni.

- 1 A Macintosh alkalmazásból válassza ki a **Print** menüpontot a **File** menüből.
- 2 Válassza ki az **Layout** opciót.



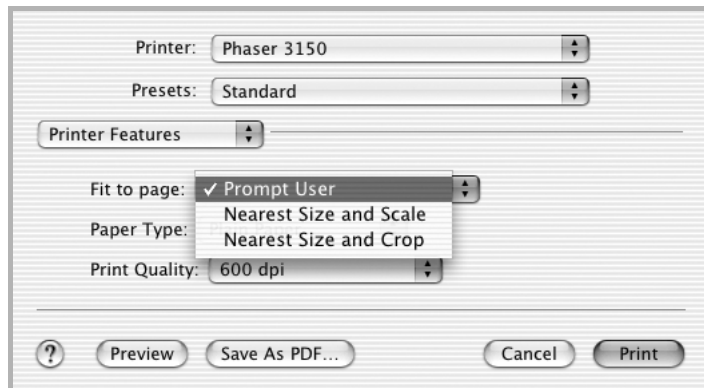
▲ Mac OS 10.2.x

- 3 Kattintson a **Print** gombra, és a nyomtató kinyomtatja a megadott számú oldalt a lapok egyik oldalára.

A dokumentum kinyomtatása kijelölt papírméretre

A nyomtatónak ez a szolgáltatása teszi lehetővé a nyomtatási feladat tetszőleges fizikai papírméretre igazítását, a digitális dokumentum méretétől függetlenül.

- 1 A Macintosh alkalmazásból válassza ki a **Print** menüpontot a **File** menüből.
- 2 Válassza ki a **Printer Features** parancsot. (Válassza a **Advanced Options** parancsot, ha Ön Mac OS 8.6 - 9.2 felhasználó.)
- 3 Válasszon egy opciót a **Fit to Page** legördülő listából, majd kattintson a **Print** gombra.



▲ Mac OS 10.2.x

- **Nearest Size and Scale:** A nyomtató automatikusan kiválasztja a dokumentum méretéhez legközelebbi papírméretet, és lekicsinyíti vagy felnagyítja az oldalt úgy, hogy illeszkedjen a papírra.
- **Nearest Size and Crop:** A nyomtató automatikusan kiválasztja a dokumentum méretéhez legközelebbi papírméretet, és kinyomtatja az oldalt tényleges méretben. A lelógó adatok levágásra kerülnek, hogy az oldal ráférjen a papírlapra.

Česky

Použití postscriptového ovladače

Chcete-li používat postscriptový ovladač obsažený na systémovém CD-ROM pro tisk dokumentů, použijte informace v této příručce.

Tato kapitola obsahuje následující části:

- **Instalace postscriptového modulu DIMM**
- **Použití postscriptového ovladače ve Windows**
- **Použití postscriptového ovladače pro Macintosh**

*Emulace PostScriptu 3



(c) Copyright 1998-2003 Zoran Corporation.
Všechna práva vyhrazena. Zoran, logo Zoran,
IPS/PS3 a OneImage jsou obchodními značkami
Zoran Corporation.

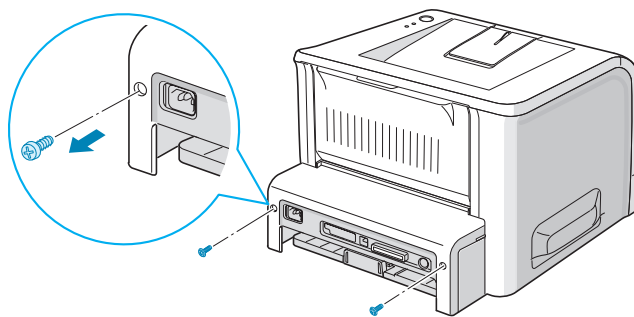
*136 typů písma PS3

Obsahuje UFST® a MicroType™ od Agfa Monotype Corporation.

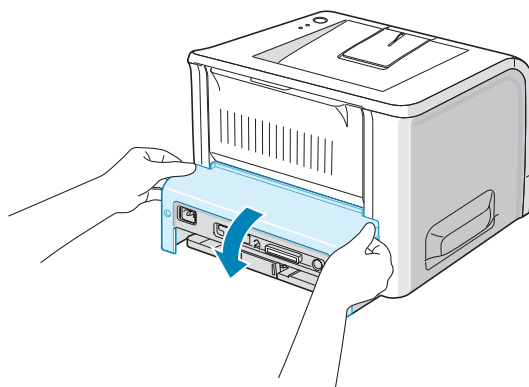
Instalace postscriptového modulu DIMM

Aby bylo možné používat postscriptový ovladač, musíte nainstalovat volitelný postscriptový modul DIMM. Volba PostScript je k dispozici s nainstalovaným modulem DIMM (Dual In-line Memory Module).

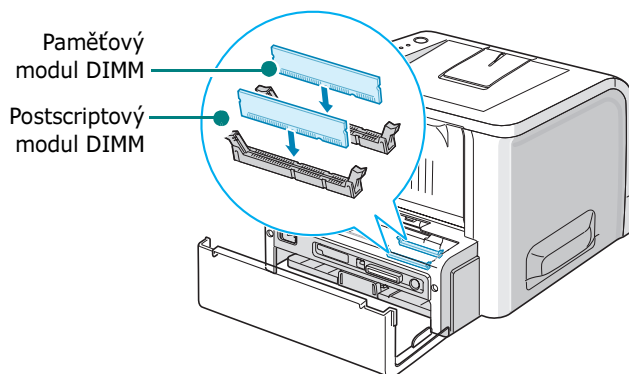
- 1 Vypněte tiskárnu a odpojte od ní všechny kabely.
- 2 Vyšroubujte dva šrouby na zadní straně tiskárny.



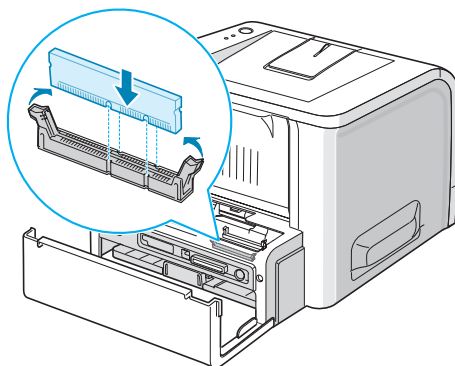
- 3 Otevřete kryt řídicí desky.



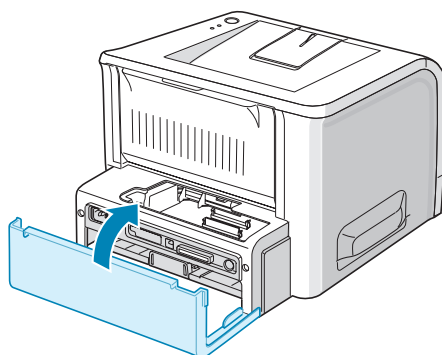
- 4** Lokalizujte na řídicí desce slot pro postscriptový modul DIMM, který je blíže k zadní hraně tiskárny a slot pro paměťový modul DIMM, který je blíže k tělu tiskárny. Sloty nejsou záměnné.



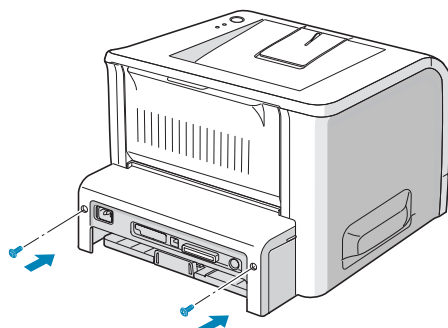
- 5** Držte postscriptový modul DIMM tak, aby zářezy byly vyrovnány s drážkami, jak je to zakresleno, a zatlačte postscriptový modul DIMM rovně do slotu, až zajede do své polohy. Ujistěte se, že výklopné jazýčky zaskočily přes zářezy umístěné na obou stranách modulu DIMM.



- 6** Zavřete kryt řídicí desky.



7 Opět zašroubujte dva šrouby.



8 Připojte znovu napájecí kabel a kabel tiskárny a zapněte tiskárnu.



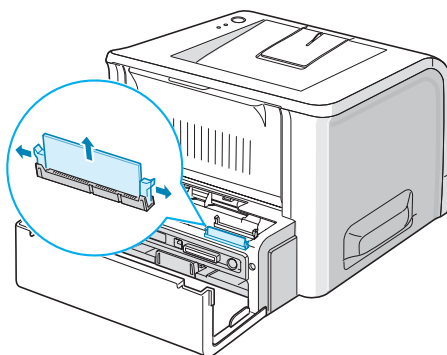
POZNÁMKA: Chcete-li s vaším postscriptovým ovladačem používat volitelný paměťový modul DIMM, musíte to po instalaci paměťového modulu DIMM nastavit ve vlastnostech.

Postupujte takto:

1. V operačním systému Windows klepněte na tlačítko **Start**.
2. V operačním systému Windows 98/Me/NT 4.0/2000 zvolte **Nastavení** a poté **Tiskárny**.
V operačním systému Windows XP zvolte položku **Tiskárny a faxy**.
3. Zvolte postscriptový ovladač tiskárny pro typ 3150.
4. Pravým tlačítkem myši klepněte na ikonu tiskárny a vyberte položku **Vlastnosti**.
5. V operačním systému Windows 98/Me zvolte kartu **Vlastnosti zařízení**.
V operačním systému Windows NT 4.0/2000/XP zvolte kartu **Nastavení zařízení**.
6. V poli **Installable Option (Instalovatelná součást)** zvolte celkovou velikost paměti. Pokud jste například instalovali paměťový modul DIMM 32 MB, pak zvolte 64 MB (přídavná paměť + základní paměť 32 MB) a klepněte na **OK**.
Ve Windows 98 zvolte **Installable Option (Instalovatelná součást)** → **VMOption** → **změnit nastavení pro: VMOption** → Zvolte celkovou velikost instalované paměti.

Odstranění postscriptového modulu DIMM

- 1** Provedením kroků 1 až 3 na strana 2 zpřístupněte řídicí desku.
- 2** Odtlačte úchytky po stranách konektoru z modulu DIMM.



- 3** Pro ochranu modulu DIMM ho vložte do původního obalu nebo ho umístěte do antistatického sáčku a uložte do krabičky.
- 4** Zavřete kryt řídicí desky.
- 5** Opět zašroubujte dva šrouby.
- 6** Připojte znovu napájecí kabel a kabel tiskárny a zapněte tiskárnu.

Použití postscriptového ovladače ve Windows

Instalace postscriptového ovladače



POZNÁMKA: Následující postup vychází z Windows XP. Kroky instalace postscriptového ovladače se mohou lišit v závislosti na operačním systému, který používáte. Instalace postscriptového ovladače.

- 1** Vložte disk CD-ROM dodaný s tiskárnou do jednotky CD-ROM.
- 2** Klepněte na nabídku **Start**.
- 3** V operačním systému Windows 98/Me/NT 4.0/2000 vyberte **Nastavení** a poté položku **Tiskárny**.
V operačním systému Windows XP zvolte položku **Tiskárny a faxy**.
- 4** Ve Windows 98/Me/NT 4.0/2000 poklepejte na **Přidat tiskárnu**.
V operačním systému Windows XP klepněte na **Přidat tiskárnu**.
- 5** Zobrazí se Průvodce přidáním tiskárny. Klepněte na **Další**.
- 6** Zvolte **Místní tiskárna** a klepněte na **Další**.
- 7** V případě potřeby zvolte port a klepněte na **Další**.
- 8** Klepněte na tlačítko **Z diskety** a poté zvolte:
 - Ve Windows 9x **x:\P3150\Printer\AddPrinter\PS\CZECH** (nebo požadovaný jazyk) **\Win9x\ setup.inf**.
 - Ve Windows NT 4.0 **x:\P3150\Printer\AddPrinter\PS\CZECH** (nebo požadovaný jazyk) **\Winnt\ setup.inf**.
 - Ve Windows 2000 **x:\P3150\Printer\AddPrinter\PS\CZECH** (nebo požadovaný jazyk) **\Win2k\ setup.inf**.
 - Ve Windows XP, **x:\P3150\Printer\AddPrinter\PS\CZECH** (nebo požadovaný jazyk) **\Winxp\ setup.inf**.(kde x je písmeno označující jednotku CD-ROM)
Poté klepněte na **OK**.

- 9 Když se v seznamu tiskáren objeví **Xerox Phaser 3150 PS**, klepněte na **Další**.
- 10 Zadejte název tiskárny a klepněte na **Další**.
- 11 Zvolte, zda chcete sdílet tiskárnu v síti nebo ne a klepněte na **Další**.
- 12 Chcete-li sdílet tiskárnu v síti, zadejte umístění a možnosti tiskárny a klepněte na **Další**.
- 13 Když se zobrazí okno vyzývající vás k tisku zkušební stránky, zvolte **Ano** nebo **Ne** a klepněte na **Další**.
- 14 Když je instalace kompletní, klepněte na **Dokončit**.
- 15 Zvolíte-li v kroku 13 **Ano**, tiskárna vytiskne zkušební stránku. Tiskne-li tiskárna správně, klepněte na tlačítko **OK**.

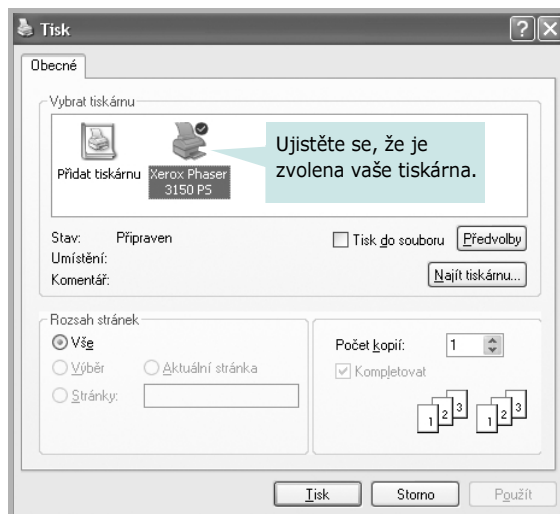
Jestliže tiskárna netiskne správně, klepněte k odstranění problému s tiskárnou na **Poradce při potížích**.

Tisk dokumentu

Následující postup popisuje obecné kroky potřebné pro tisk pomocí postscriptového ovladače. Přesné kroky při tisku dokumentu se mohou lišit v závislosti na aplikačním programu, který používáte. Přesný popis postupu při tisku viz Uživatelská příručka vašeho softwaru.

- 1 Otevřete dokument, který chcete vytisknout.
- 2 V nabídce **Soubor** klepněte na příkaz **Tisk**. Zobrazí se okno Tisk (v závislosti na vaší aplikaci se může mírně lišit).

V okně Tisk jsou zvolena základní nastavení tisku. Mezi tato nastavení patří počet kopií a rozsah tisku.



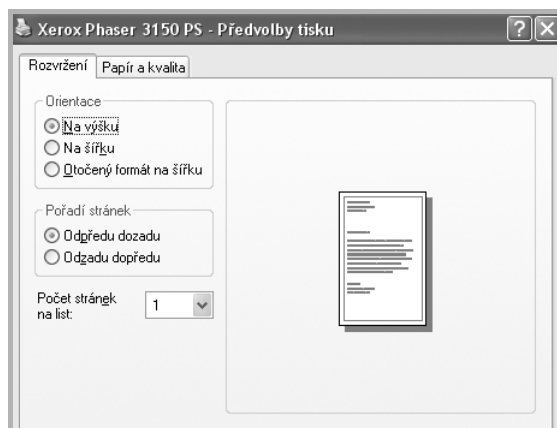
▲ Windows XP

- 3 Chcete-li využít výhod funkcí, které vaše tiskárna umožňuje, klepněte v okně aplikace pro tisk na **Předvolby** a přejděte ke kroku 4.

Zobrazí-li se v okně **Nastavení, Tiskárna** nebo **Možnosti**, klepněte místo toho na toto tlačítko. Poté klepněte v následující obrazovce na **Předvolby**.

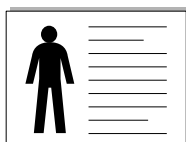
- 4 Okno Xerox Phaser 3150 PS - Předvolby tisku vám umožňuje přístup ke všem informacím, které budete potřebovat při používání tiskárny.

Nejprve se zobrazí karta **Rozvržení**.

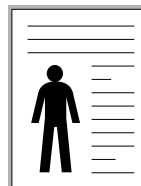


Možnost **Orientace** umožňuje vybrat směr, ve kterém chcete informace na stránce vytisknout.

- Při nastavení **Na výšku** můžete tisknout po širší straně papíru ve stylu dopisu.
- Při nastavení **Na šířku** můžete tisknout po delší straně papíru ve stylu tabulky.
- **Otočený formát na šířku** otočí stránku hlavou dolů.



▲ Na šířku



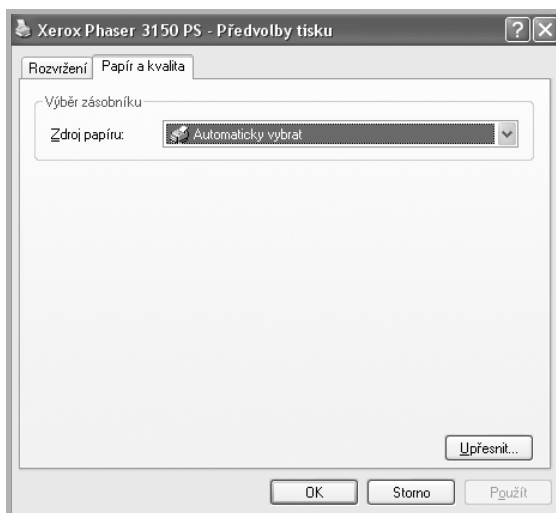
▲ Na výšku

Volba **Pořadí stránek** vám umožňuje zvolit pořadí, v jakém se stránky vytisknou.

- **Odpředu dozadu** vytiskne stránky v normálním pořadí.
- **Ozadu dopředu** vytiskne stránky v opačném pořadí.

Volba **Počet stránek na list** vám umožňuje zvolit počet stránek, které se vytisknou na jeden list papíru. Můžete zvolit 1, 2, 4, 6, 9 a 16.

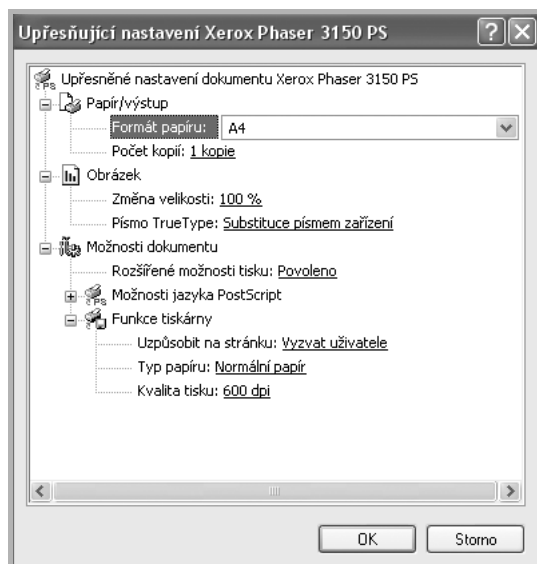
- 5** Klepněte na kartu **Papír a kvalita** ke zvolení zdroje papíru z rozevíracího seznamu **Zdroj papíru**.
Zvolte zdroj papíru, který chcete používat s postscriptovým ovladačem - **Zásobník 1**, **Zásobník 2**, **Zásobník 3** nebo **Zásobník 1(ručně)**.



POZNÁMKA: Můžete klepnout na **?** v pravém horním rohu a pak klepnout na kterékoliv nastavení. Zobrazí se okno s nápovědou, které vám poskytne podrobné informace o funkci tiskárny umožňované ovladačem.

Upřesnění vlastností tisku

K upřesnění vlastností tisku klepněte na tlačítko **Upřesnit** v okně Xerox Phaser 3150 PS - Předvolby tisku.



- **Papír/výstup** vám umožňuje zvolit velikost papíru a počet tištěných kopií.
- **Obrázek** umožňuje měnit velikost tiskové úlohy na stránce a určovat, jak se zobrazí text ve vašem dokumentu.
- **Možnosti dokumentu** vám umožňuje zapnout nebo vypnout pokročilé funkce tisku.
- **Možnosti jazyka PostScript** umožňují používat různé možnosti PostScriptu.
- **Funkce tiskárny** vám umožňují zvolit typ papíru vložený do tiskárny, rozlišení tisku a měnit velikost tiskové úlohy pro jakoukoliv zvolenou velikost papíru.

Použití postscriptového ovladače pro Macintosh

Instalace PPD pro postscriptový ovladač

Disk CD-ROM dodaný s tiskárnou obsahuje soubor PPD umožňující používat postscriptový ovladač a ovladač pro Apple LaserWriter potřebný pro tisk na počítači Macintosh.

Před instalací softwaru tiskárny ověřte následující:

Položka	Požadavky	
Operační systém	Mac OS 8.6 - 9.2/10.1 - 10.3	
RAM	Mac OS 8.6 - 9.2	64 MB
	Mac OS 10.1 - 10.3	128 MB
Volný prostor na disku	200 MB	

- 1 Zapněte počítač a tiskárnu.
- 2 Vložte disk CD-ROM dodaný s tiskárnou do jednotky CD-ROM počítače.
- 3 Na pracovní ploše počítače Macintosh poklepejte na **P3150**.
- 4 Poklepejte na složku **Installer**.
- 5 V závislosti na verzi OS poklepejte na ikonu Installer.
 - **Xerox Phaser 3150 Classic**: Mac OS 8.6 - 9.2
 - **Xerox Phaser 3150 OSX**: Mac 10.1 - 10.3
- 6 Klepněte na **Continue**.
- 7 Klepněte na **Install**.
- 8 Po dokončení instalace klepněte na **Quit**.

Nastavení tiskárny

Způsob nastavení tiskárny se liší v závislosti na kabelu, který používáte k připojení tiskárny k počítači - síťový kabel nebo kabel USB.

Pro počítač Macintosh připojený prostřednictvím sítě

V Mac OS 8.6 - 9.2

- 1 Při instalaci souboru PPD na váš počítač se řiďte pokyny na strana 11.
- 2 Z nabídky **Apple** zvolte **Chooser**.
- 3 Klepněte na **LaserWriter 8** (postscriptový ovladač dodaný s počítačem Macintosh).
Název tiskárny se zobrazí v seznamu.
- 4 Zvolte **XRX000xxxxxxxxx** z pole tiskárny (kde xxxxxxxxxxx se liší v závislosti na vaší tiskárně) a klepněte na **Select**.
Nefunguje-li automatická instalace, klepněte na **Select PPD**, vyberte **Xerox Phaser 3150** a klepněte na **OK**.
- 5 Po dokončení instalace se na pracovní ploše vytvoří ikona tiskárny.
- 6 Zavřete **Chooser**.
- 7 Po zobrazení okna se zprávou, že jste změnili výchozí tiskárnu, klepněte na **OK**.

V Mac OS 10.1 - 10.3

- 1 Při instalaci souboru PPD na váš počítač se řiďte pokyny na strana 11.
- 2 Otevřete **Print Center** ze složky Utilities.
- 3 V Printer List klepněte na **Add**.
- 4 Zvolte kartu **AppleTalk**.
Název tiskárny se zobrazí v seznamu. Zvolte **XRX000xxxxxxxxx** z pole tiskáren, kde xxxxxxxxxxx se liší v závislosti na vaší tiskárně.

- 5 Klepněte na **Add**.
- 6 Nefunguje-li Auto Select, zvolte v poli Printer Model **Xerox** a v poli Model Name **Xerox Phaser 3150**.
Vaše tiskárna se zobrazí v seznamu tiskáren a nastaví se jako výchozí tiskárna.

Pro počítač Macintosh připojený kabelem USB

V Mac OS 8.6 - 9.2



POZNÁMKA: Umístění Desktop Printer Utility se může lišit podle operačního systému Macintosh.

- 1 Při instalaci souboru PPD na váš počítač se řiďte pokyny na strana 11.
- 2 Na **Macintosh** poklepejte na **Application**.
- 3 Poklepejte na **Utilities**.
- 4 Poklepejte na **Desktop Printer Utility**.
- 5 Zvolte **LaserWriter 8** a v poli seznamu zvolte **Printer (USB)**. Poté klepněte na **OK**.
- 6 V části USB Printer Selection zvolte **Change**. Název tiskárny se zobrazí v seznamu.
- 7 Klepněte na **Phaser 3150** a poté na **OK**.
- 8 V části PostScript Printer Description (PPD) File klepněte na **Auto Setup**.
Nefunguje-li automatická instalace, klepněte na **Select PPD** a zvolte **Xerox Phaser 3150**.
- 9 Po dokončení instalace klepněte na **Create**.
- 10 Klepněte na tlačítko **Save**.
- 11 Vyplňte pole **Printer Name** a klepněte na **OK**.

V Mac OS 10.1 - 10.3

- 1 Při instalaci souboru PPD na váš počítač se řiďte pokyny na strana 11.
- 2 Otevřete **Print Center** ze složky Utilities.
- 3 V Printer List klepněte **Add**.
- 4 Zvolte kartu **USB**.
- 5 Zvolte **Phaser 3150** a klepněte na **Add**.
- 6 Nefunguje-li Auto Select, zvolte v poli Printer Model **Xerox** a v poli Model Name **Xerox Phaser 3150**.

Vaše tiskárna se zobrazí v seznamu tiskáren a nastaví se jako výchozí tiskárna.

Tisk dokumentu

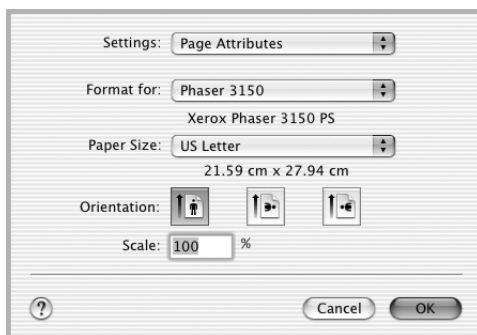
Tisknete-li z počítače Macintosh, je potřeba zkontrolovat nastavení softwaru tiskárny v každé aplikaci, kterou používáte. Při tisku z počítače Macintosh postupujte takto:



POZNÁMKA: Okno ovladače LaserWriter se může lišit v závislosti na verzi operačního systému Macintosh, avšak dostupné funkce jsou stejné.

- 1 Spustíte aplikaci počítače Macintosh a zvolte soubor, který chcete tisknout.
- 2 Otevřete nabídku **File** a klepněte na **Page Setup** (v některých aplikacích **Document Setup**).

- 3 Zvolte velikost papíru, orientaci, měřítko a další možnosti a klepněte na **OK**.



▲ Mac OS 10.2.x

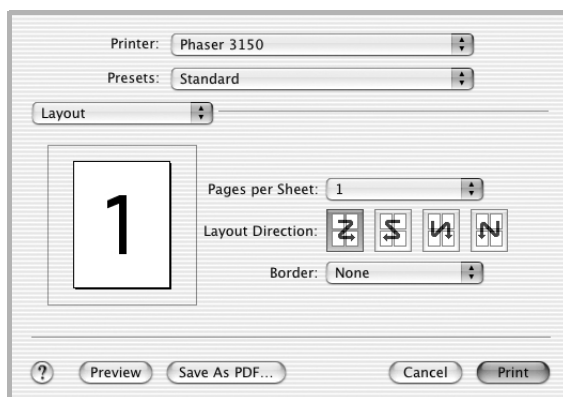
- 4 Otevřete nabídku **File** a klepněte na **Print**.
- 5 Zvolte počet kopií a označte, které stránky chcete tisknout.
- 6 Po dokončení nastavení možností klepněte na **Print**.

Upřesnění vlastností tisku

Tisk více stránek na jeden arch papíru

Na jeden list papíru můžete tisknout více než jednu stránku. Tato funkce vám umožňuje cenově výhodný tisk stránek konceptu.

- 1 Z aplikace Macintosh zvolte **Print** z nabídky **File**.
- 2 Zvolte **Layout**.



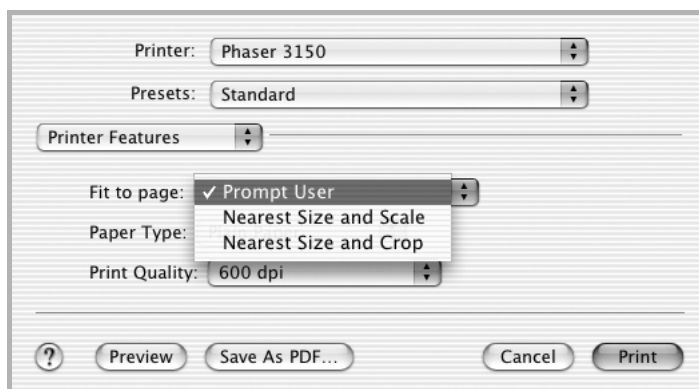
▲ Mac OS 10.2.x

- 3 Klepněte na **Print** a tiskárna vytiskne požadovaný počet stránek na jednom listu papíru.

Tisk dokumentu na papír zvolené velikosti

Tato funkce vám umožňuje přizpůsobit velikost tiskové úlohy pro jakoukoliv specifikovanou fyzickou velikost papíru nezávisle na velikosti dokumentu.

- 1 Z aplikace Macintosh zvolte **Print** z nabídky **File**.
- 2 Zvolte **Printer Features**. (Zvolte **Advanced Options**, používáte-li Mac OS 8.6 - 9.2.)
- 3 Z rozevíracího seznamu **Fit to Page** zvolte některou možnost a klepněte na **Print**.



▲ Mac OS 10.2.x

- **Nearest Size and Scale:** Tiskárna automaticky zvolí papír nejbližší velikosti dokumentu a zmenší nebo zvětší stránku tak, aby se vešla na papír.
- **Nearest Size and Crop:** Tiskárna automaticky zvolí papír nejbližší velikosti dokumentu a vytiskne stránku v aktuální velikosti. Přesahující data jsou oříznuta, aby se stránka vešla na papír.